

# e catalogue

e-katalog.lkpp.go.id

PRICE LIST & PRODUCT CATALOGUE



## PT BUMI INDAH SARANAMEDIS

*Medical • Hospital Equipment • Laboratory Supply*

Exclusive Distributor of:



**COMTEM™**

Medical Waste Sterilizer



### Workshop

Alex Bangun Cipendawa Baru Rt. 003 Rw. 002  
Kel. Bantar Gebang, Kec. Bantar Gebang  
Kota Bekasi - Jawa Barat  
Telp. 021 - 8273 1750 / 021-8273 1806  
Fax. 021 - 8273 1834

### Show Room

Graha Bumi Indah - Lantai 1  
Jln. Inspeksi Kalimalang Kav. Agraria Blok E No. 10  
Duren Sawit - Jakarta Timur 13430  
Telp. 021 - 8660 8000 - ext 109, 114, 120  
Fax. 021 - 8660 7111

# Our History



Since first established in 1997, PT. Bumi indah Putra has been one of the pioneer and substantial company in medical equipment industries.

PT. Bumi indah Putra main product ranges include: beds, trolleys, cabinet, incubator warmer, infant warmer and a lot more hospital equipments. We make a wide range of high quality products for aged and disabled people, to help them to live a happy and dignified life with the best care available.

We have an energetic, focused and ambitious operations team, coupled with advanced facilities and quality assurance examination equipment. Using these advantages, we will be able to give a total solution service and become one of the professional hospital equipments and furniture manufacturers in indonesia.

# Table Of Contents

No	Product Name	Merk	Type	Price	Page
<b>LABORATORIUM</b>					
1	Electrolyte Analyzer	Erba / Ceko	Lyte Pro Plus	Rp 83,500,000	1
2	Single Channel Coagulation Analyzer	Erba / Ceko	ECL 105	Rp 26,000,000	2
3	Four Channel Coagulation Analyzer	Erba / Ceko	ECL 412	Rp 52,000,000	2
4	Fully Automated Coagulation Analyzer	Erba / Ceko	ECL 760	Rp 375,000,000	3
5	Hematology Analyzer advanced 3 part diff	Erba / Ceko	Elite3	Rp 125,072,000	4
6	Hematology Analyzer advanced 5 part diff	Erba / Ceko	Elite5	Rp 376,903,000	4
7	Test Strips for Urine Analysis	Erba / Ceko	Triphan	Rp 46,000	5
8	Semi Automated Clinical Chemistry Analyzer	Erba / India	Chem Touch	Rp 71,322,000	5
9	Urine analyzer, Laura Smart	Erba / Ceko	Laura S	Rp 18,760,000	6
10	Urine analyzer, Laura M	Erba / Ceko	Laura M	Rp 22,479,000	6
<b>MEDICAL WASTE TREATMENT / ALAT PENGOLAHAN LIMBAH MEDIS</b>					
11	Steriflash	Comtem / Spain	ST30	Rp 1,100,000,000	7
12	Steriflash	Comtem / Spain	ST80	Rp 1,860,000,000	8
13	Steriflash	Comtem / Spain	ST200	Rp 3,300,000,000	9
<b>HOSPITAL FURNITURE / ALAT KESEHATAN</b>					
14	Ambulance Brancart Multipurpose	bipMED	BAS 303 - M	Rp 20,500,000	10
15	Ambulance Stretcher Standard	bipMED	BAS 301 - S	Rp 11,100,000	10
16	Baby Cot	bipMED	BBC 101	Rp 2,800,000	10
17	Baby Cot	bipMED	BBC - 201	Rp 6,500,000	10
18	Bed Pasien	bipMED	BHB 101 - RHB	Rp 5,400,000	11
19	Bed Screen Single P/C	bipMED	BSS-101-S	Rp 1,300,000	11
20	Bed Screen Single S/S	bipMED	BSS-201-S	Rp 1,750,000	11
21	Bed Screen Double P/C	bipMED	BSS-102-D	Rp 2,400,000	11
22	Bed Screen Double S/S	bipMED	BSS-202-D	Rp 3,300,000	12
23	Bed Screen Triple P/C	bipMED	BSS-103-T	Rp 3,150,000	12
24	Bed Screen Triple S/S	bipMED	BSS-203-T	Rp 3,900,000	12
25	Bed Side Cabiet (Mimbar)	bipMED	BSC-101	Rp 3,250,000	12
26	Bed Side Cabiet (Food Tray Mimbar)	bipMED	BSC-102-FT	Rp 3,452,000	13
27	Bed Side Cabiet ABS	bipMED	BSC-101-A	Rp 3,966,000	13
28	Brancart Complete	bipMED	BBP 203 - C	Rp 9,000,000	13
29	Brancart High Low	bipMED	BBP 104 - HL	Rp 12,087,000	13
30	Brancart Patient	bipMED	BBP 201	Rp 7,650,000	14
31	Children Hospital Bed	bipMED	BHC 101	Rp 8,000,000	14
32	Children Hospital Bed (Pediatric Bed)	bipMED	BHC 201 - 1C	Rp 10,000,000	14
33	Dressing Trolley P/C	bipMED	BDT-101	Rp 4,490,000	14
34	Dressing Trolley S/S	bipMED	BDT-201	Rp 7,889,000	15
35	Examine Table	bipMED	BET 201	Rp 6,650,000	15
36	Examine Table	bipMED	BET 101	Rp 3,500,000	15
37	Gynaecolog Chair	bipMED	BGY 101	Rp 5,900,000	15
38	Gynaecolog Chair	bipMED	BGY 201 - CC	Rp 9,700,000	16
39	Gyneacolog Chair	bipMED	BGY - 201	Rp 8,600,000	16
40	Gyneacolog Chair Electric	bipMED	02 - CE / BIP ALK 127	Rp 33,788,000	16
41	Gyneacolog Examine Table	bipMED	BGT 201	Rp 5,750,000	16
42	Hospital Bed 1 Crank ABS	bipMED	BHB 103 - 1ABS	Rp 9,500,000	17
43	Hospital Bed 1 Crank ABS	bipMED	BHB-103-1CK ( NEW )	Rp 14,500,000	17
44	Hospital Bed 2 Crank ABS	bipMED	BHB 104 - 2ABS	Rp 10,500,000	17

No	Product Name	Merk	Type	Price	Page
45	Hospital Bed 2 Crank ABS	bipMED	BHB-104-2CK ( NEW )	Rp 16,250,000	17
46	Hospital Bed 3 Crank ABS	bipMED	BHB 105 - 3ABS	Rp 12,900,000	18
47	Hospital Bed 3 Crank ABS	bipMED	BHB-105-3CK	Rp 19,500,000	18
48	Hospital Bed Ekonomi	bipMED	BHB - 101 - EC	Rp 4,300,000	18
49	Hospital Bed Electric	bipMED	108 - E / BIP ALK 134	Rp 21,000,000	18
50	Incubator Digital Control	bipMED	01 - DC / BIP ALK 13	Rp 24,500,000	19
51	Infusion Stand	bipMED	BIS 101 - 5W	Rp 1,200,000	19
52	Instrument Glass Trolley P/C	bipMED	BIT-101	Rp 1,650,000	19
53	Instrument Glass Trolley S/S	bipMED	BIT-201	Rp 2,750,000	19
54	Instrument Trolley 1 Drawer P/C	bipMED	BIT-102-1D	Rp 3,039,000	20
55	Instrument Trolley 1 Drawer S/S	bipMED	BIT-202-1D	Rp 4,941,000	20
56	Instrument Trolley 2 Drawer P/C	bipMED	BIT-101-2D	Rp 3,534,000	20
57	Instrument Trolley 2 Drawer S/S	bipMED	BIT-201-2D	Rp 5,187,000	20
58	Instrument Trolley P/C	bipMED	BIT-102	Rp 1,700,000	21
59	Instrument Trolley S/S	bipMED	BIT-202	Rp 3,506,000	21
60	Linen Trolley P/C	bipMED	BLNT-101	Rp 5,575,000	21
61	Linen Trolley S/S	bipMED	BLNT-201	Rp 7,957,000	21
62	Mattress 12 Cm Thickness	bipMED	BMA-303	Rp 1,605,000	22
63	Mattress 14 Cm Thickness	bipMED	BMA-302	Rp 2,771,000	22
64	Mayo Stand S/S	bipMED	BMS-201	Rp 3,608,000	22
65	Mayo Stand S/S	bipMED	BMS-202	Rp 3,128,000	22
66	Over Bed Table Deluxe with Gas Spring P/C	bipMED	BMS-102-GS	Rp 4,200,000	23
67	Over Bed Table Gas Spring ABS	bipMED	BMSG-101-ABS	Rp 4,507,000	23
68	Over Bed Table P/C	bipMED	BMS-101	Rp 2,770,000	23
69	Medicine Cabinet 1 Pintu P/C Side Glass	bipMED	BMC-101-1P	Rp 5,500,000	23
70	Medicine Cabinet 1 Pintu S/S	bipMED	BMC-201-1P	Rp 10,773,000	24
71	Medicine Cabinet 2 Pintu P/C	bipMED	BMC-103-2P	Rp 7,300,000	24
72	Medicine Cabinet 2 Pintu S/S	bipMED	BMC-203-2P	Rp 13,604,000	24
73	Mortuary Carriage S/S	bipMED	BMO-201	Rp 7,551,000	24
74	Mortuary Refrigerator 2 Pintu	bipMED	BMO-203-2P	Rp 154,479,000	25
75	Mortuary Table S/S	bipMED	BMO-201-T	Rp 12,829,000	25
76	Radiology Table	bipMED	BRT 101	Rp 6,000,000	25
77	Resussitasi Table (Baby Tafel)	bipMED	BTA 201 - L	Rp 8,750,000	25
78	Stand Wascom Single Deluxe S/S	bipMED	BSW-201-SD	Rp 2,236,000	26
79	Stand Wascom Single P/C	bipMED	BSW-101-S	Rp 844,000	26
80	Stand Wascom Single S/S	bipMED	BSW-201-S	Rp 1,658,000	26
81	Stand Wascom Double Deluxe S/S	bipMED	BSW-201-DD	Rp 3,829,000	26
82	Stand Wascom Double P/C	bipMED	BSW-101-D	Rp 1,217,000	27
83	Stand Wascom Double S/S	bipMED	BSW-201-D	Rp 1,790,000	27
84	Verlos Bed S/S	bipMED	BVB 201	Rp 9,500,000	27
85	Wheel Chair	bipMED	BKR 202	Rp 2,100,000	27

# Erba Lyte™

## Electrolyte Analyzer



Accurate, Convenient, Smart and Economical Critical Care Analysis



- Comprehensive Test Menu
- Na / K / Cl / Ca / Li / CO<sub>2</sub>/ pH
- 8 Customised Models Available

- catalogue

- Sesuai negosiasi LKPP
- Termasuk PPN
- Franko Pabrik
- Belum termasuk ongkos kirim & Biaya asuransi

### Technical Specifications\*

- Principle : Direct measurement by Ion Selective Electrode (ISE)  
 Throughput : 60 samples/hour  
 Sample Type : Whole Blood, Serum, Plasma, Diluted Urine (with Erba urine diluent)  
 Sample Volume : 150ul

Analyte	Measuring Range	Precision (CV%)
K <sup>+</sup>	0.50–15.0 mmol/L	≤ 1.0%
Na <sup>+</sup>	30.0–200.0 mmol/L	≤ 1.0%
Cl <sup>-</sup>	30.0–200.0 mmol/L	≤ 1.0%
Ca <sup>++</sup>	0.10–5.00 mmol/L	≤ 2.0%
Li <sup>+</sup>	0.20–3.00 mmol/L	≤ 3.0%
pH	4.00–9.00 unit	≤ 1.0%

- Calibration : 1point OR 2 point calibration at adjustable time interval  
 Data Input : Touch Screen  
 Display : Large LCD with backlight  
 Data Storage : Up to 200 patient results  
 Printer : Inbuilt Thermal Printer  
 Quality Control : Facility to run 2 level of Q.C. Statistic report with Mean, SD & CV% for Daily or Monthly Q.C.  
 Reagents : Closed reagent module containing calibration solutions and waste chamber.  
 Audible and Visual Alarms : Beep sound for completion of sample aspiration.  
 Visual alarms for Reagent inventory:  
 ■ Icon indicates the remaining reagents can run about 150 samples.  
 □ Icon indicates the remaining reagents can run about 20 samples.  
 Ⓜ Icon indicates the reagents are run out.  
 Communication : RS 232 serial port  
 Ambient Temp. : 15 - 32°C  
 Relative Humidity : <85%  
 Voltage Input : AC 220 or 110V ± 10%, 50/60Hz  
 Power Consumption : 60W  
 Weight : 10Kg (instrument only)  
 Optional Accessories : Auto Sampler, Barcode Reader

#### Series of Erba Lyte Models :

Product Code	Name	Model Description
INS00022	Erba Lyte	Electrolyte analyzer with Na / K analytes
INS00023	Erba Lyte Plus	Electrolyte analyzer with Na/K/Cl analytes
INS00024	Erba Lyte Li	Electrolyte analyzer with Na/K/Li analytes
INS00025	Erba Lyte Li +	Electrolyte analyzer with Na/K/Cl/Li analytes
INS00026	Erba Lyte Ca	Electrolyte analyzer with Na/K/Cl/pH analytes
INS00027	Erba Lyte Pro	Electrolyte analyzer with Na/K/Cl/CO <sub>2</sub> analytes
INS00028	Erba Lyte Pro+	Electrolyte analyzer with Na/K/Cl/CO <sub>2</sub> /pH analytes
INS00029	Erba Lyte Ca+	Electrolyte analyzer with Na/K/Cl/CO <sub>2</sub> /pH analytes
INS00030	Auto Sampler	20 + 5 positions

\* Specifications are subject to change without prior notice.

ERBA Diagnostics Mannheim GmbH  
 Mühlackerstr. 31 | 68129 Mannheim, Germany  
 Telephone : (+49) 621 8799779 Fax : (+49) 621 8799888 Email : sales@erba-diagnostics.com  
 Website : www.erba-diagnostics.com



Erba Lachema s.r.o.

Karasek 1d, 612 33 Brno, Czech Republic  
 Tel. : +420 517 077 111, Fax : +420 517 077 077 Email : diagnostics@lachema.com  
 www.lachema.com

# Erba Lyte

Direct ISE technology increases accuracy and eliminates dilution errors

#### Versatile and Quick

- Sample Volume: 150 µl
- Sample Type: serum, plasma, whole blood, and urine
- Calibration: Automatic and on demand calibration
- Results: All analytes reported in 60 sec with printout
- Printer: Inbuilt Thermal printer
- Memory: Storage up to 200 patient results
- High Throughput: 60 samples per hour



#### Effortless and Smart Working

Large LCD touchscreen and simple user interface makes electrolyte analysis a very convenient and effortless experience.

Self diagnostic software makes it easy for maintenance & trouble shootings

**Connectivity Enabled**  
 RS 232 serial port.

**STAT**  
 24 x 7 ready to analyze

**Auto sampler:**  
 Optional auto sampler with regular and stat positions enhance the performance and safety of ErbaLyte analyzer.



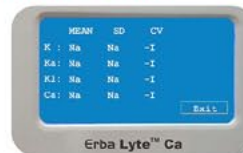
Combined with safe and maintenance free self-contained disposable reagents pack

#### Excellent Repeatability

Analyte	Average values for 3 Day				Repeatability	
	Day 1	Day 2	Day 3	Day 4	Mean	SD CV%
Na <sup>+</sup> (mmol/L)	145.94	143.57	143.61	145.50	144.27	144.54 1.01 0.70
K <sup>+</sup> (mmol/L)	4.97	4.91	4.93	4.89	4.92	4.92 0.03 0.57
Cl <sup>-</sup> (mmol/L)	109.94	109.57	109.27	109.29	109.30	109.16 0.21 0.31
Ca <sup>++</sup> (mmol/L)	1.28	1.26	1.27	1.25	1.27	1.27 0.01 0.52
TCO <sub>2</sub> (mmol/L)	2.50	2.46	2.46	2.45	2.47	2.47 0.02 0.63
pH	7.41	7.39	7.39	7.39	7.39	7.39 0.01 0.12

High precision Instrument guarantees excellent repeatability proven over time

#### Quality Management



2 levels of QC Statistical Report with Mean, SD and CV% for daily / monthly QC

ErbaLyte Q.C. solutions are available for performance monitoring

#### External Barcode Reader (optional)

Patient data can be transferred to analyzer using external barcode reader



#### High Safety and Easy Maintenance



Closed reagent pack with calibration solution and waste chamber eliminates maintenance and exposure to bio hazardous waste.

Probe washer cleans probe, keeps it secure and avoids accidental contact.

Smart visual inventory management

#### Hassle Free Electrode Refilling:



Uniquely designed ergonomic dropper makes refilling of electrode hassle free and safe for user.

Distributed by :  
 PT. Bumi Indah Putra  
 Jl. Alex Bangun Cipendawa Baru RT003/RW002, Kelurahan  
 Bantargebang, Kecamatan Bantargebang, Kota Bekasi - 17151  
 Jawa Barat (021-82731795 / 021-82731750 / 021-82731806)  
 Reg. NO. : KEMENKES RI AIL :



## Erba Coagulation Line

A Modern and Advanced Analyzer in Hemostasis

| CLOTTING | IMMUNOGENIC ASSAYS |



# ECL 105

## Single Channel Coagulation Analyzer

- Tests performed are PT, APTT, FBG, Factor Assays, LA, PS, PC and D Dimer
- Multilevel control QC program available
- Built-in incubator with 10 reaction cuvette position and graphic printer
- Large graphical alpha numeric color touch screen display for ease of use



- Sesuai negosiasi LKPP
- Termasuk PPN
- Franko Pabrik
- Belum termasuk ongkos kirim & Biaya asuransi



## ECL 105

### Single Channel Coagulation Analyzer



Specifications	
Principles	: Clotting assays, Light Scatter Principle (640nm) : Immunogenic Turbidimetric Assays (800nm)
Test Menu	: PT, APTT, FBG, Intrinsic and Extrinsic Factor Assays, LA, PS, PC, and D Dimer
Number of Channel	: One.
Display	: Large graphical touch screen display
Reaction Cuvette Holder	: 10 Positions for incubation of single reaction cuvette
Reagent Cup Holder	: 5 Positions (4cups and 1 bottles with stirring programmable)
Printer	: Built-in Graphic Thermal Printer
Units of Measurement	: seconds, %, INR, mg/dl, g/dl, ratio, etc.
Coagulation Clotting Curve	: Yes
Operating Temperature	: 17-32 Degrees Celsius, Max. 80% RH, non-condensing
QC	: QC with L-J graph
Power Supply	: 100-250V ~47-63Hz, 150VA
Interface	: USB port, Pen Drive / LIS compatible
Power Consumption	: 150VA or less
Dimension	: 216 x 205 x 75 mm, 0.9kg

For Best results recommended to use Erba Coagulation Reagents

Manufactured By:  
 Erba Lachema s.r.o  
 Karasek 1d, 62133, Brno, Czech Republic

\*Specifications are subject to change without notice as an ongoing upgradation.

Untuk :  
 ERBA Diagnostics Mannheim, GmbH, Germany

Manufactured by :

IVD



Erba Lachema s.r.o.

Karasek 1d, 621 33 Brno, Czech Republic  
 Tel.: +420 517 077 111, Fax : +420 517 077 077 Email : diagnostics@lachema.com www.lachema.com

Distributed by :  
 PT. Bumi Indah Putra  
 Jl. Alex Bangun Cipendawa Baru RT003/RW002, Kelurahan  
 Bantargebang, Kecamatan Bantargebang, Kota Bekasi - 17151  
 Jawa Barat (021-82731795 / 021-82731750 / 021-82731806)  
 Reg. NO. : KEMENKES RI AIL :



## Erba Coagulation Line

Advanced Analyzer for Complete Hemostasis

| CLOTTING | CHROMOGENIC | IMMUNOGENIC ASSAYS |



# ECL 412

## Four Channel Coagulation Analyzer

- Tests performed are PT, APTT, FBG, Intrinsic and Extrinsic Factor Assays, LA, PS, PC, Chromogenic ATIII and D Dimer
- Multilevel control QC program available
- Built-in incubator with 20 reaction cuvette position and graphic printer
- Large graphical alpha numeric color touch screen display for ease of use



- Sesuai negosiasi LKPP
- Termasuk PPN
- Franko Pabrik
- Belum termasuk ongkos kirim & Biaya asuransi



## ECL 412

### Four Channel Coagulation Analyzer



Specifications	
Principles	: Clotting assays, Light Scatter Principle (640nm) : Chromogenic Assays (405nm) : Immunogenic Turbidimetric Assays (800nm)
Test Menu	: PT, APTT, FBG, Intrinsic and Extrinsic Factor Assays, LA, PS, PC, Chromogenic ATIII and D Dimer
Number of Channels	: 4 Channels
Reaction Cuvette Holder	: 20 Positions for incubation of single reaction cuvette
Reagent Cup Holder	: 12 Positions (10 cups and 2 bottles with stirring programmable)
Display	: Large Graphical Touch Screen Color Display
Printer	: Built-in Graphic Thermal Printer
Units of Measurement	: seconds, %, INR, mg/dl, g/dl, etc.
Coagulation Clotting Curve	: Yes
Operating Temperature & Humidity	: 17-32 Degrees Celsius, Max. 80% RH, non-condensing
QC	: QC with L-J graph
Power Requirement	: 100-250V ~47-63Hz, 150 VA
Interface	: USB port, Pen Drive / LIS compatible
Dimension and Weight	: 300 x 290 x 90 mm, 3 kgs

For Best results recommended to use Erba Coagulation Reagents

Manufactured By:  
 Erba Lachema s.r.o  
 Karasek 1d, 62133, Brno, Czech Republic

\*Specifications are subject to change without notice as an ongoing upgradation.

Untuk :  
 ERBA Diagnostics Mannheim, GmbH, Germany

# ECL 760

Fully Automated  
Coagulation Analyzer



## ECL 760

Advanced Fully Automated  
Coagulation Analyzer

### Key Features

Advanced random access system for clotting, immunologic and chromogenic assays for routine and STAT testing.

e - catalogue

- Sesuai negosiasi LKPP
- Termasuk PPN
- Franko Pabrik
- Belum termasuk ongkos kirim & Biaya asuransi

Erba Coagulation Line



## ECL 760

Advanced Fully Automated  
Coagulation Analyzer

### Key Features

Advanced random access system for clotting, immunologic and chromogenic assays for routine and STAT testing.

#### No. Of Channels

7 independent measuring channels

#### Detection Principles

Clotting: Light Scattering threshold

Chromogeny: change in absorbance

Immunoturbidimetry: measurement of turbidity

#### Test Type Possible

Full-scope coagulation clotting tests (screening tests, factors, specialty and user defined tests), immunologic, chromogenic tests

#### Throughput

60 PT tests / hour

#### Quality Controls

12 user defined QC material

### Hardware Specifications

#### Display

Liquid crystal color touch screen

#### Sample Handling

27 positions on 3 racks for samples (primary or secondary tubes), positive identification by internal barcode reader

#### Reagent Capacity

20 refrigerated and stirrable positions for reagents and diluents + 3 positions for diluent and cleaners

#### Walkaway Capacity

27 samples, 72 cuvettes

#### Test Incubation

8 cuvette positions

#### Printer

Built-in thermal printer

### Software Specifications

- Innovative user interface
- 6 point calibrations
- Storage capacity of more than 10000 data curves
- Integration to laboratory or clinical information systems





e - catalogue

## Advanced Hematology Analyzers

Be a Part of Elite

- Sesuai negosiasi LKPP
- Termasuk PPN
- Franko Pabrik
- Belum termasuk ongkos kirim & Biaya asuransi

e - catalogue

- Sesuai negosiasi LKPP
- Termasuk PPN
- Franko Pabrik
- Belum termasuk ongkos kirim & Biaya asuransi

## ELite3

### Benefits

- Only 3 reagents needed (Erba Diluent-Diff, Erba Lyse-Diff, Erba Cleaner), environment-friendly (cyanide free)
- Built-in printer with 58 mm wide roll paper, full report with histograms
- USB interface for support: Host computer, Keyboard, External printers, Upgrade control SW, Data back-up, Hand-held barcode reader
- Usage of standard electronic and mechanic components
- Aperture made in technical ruby

### Easy handling

- Full colour LCD touch-screen with high contrast ratio
- Optional 13 languages
- User-friendly multilingual operating menu
- Sample rotor ensures safe and easy sampling
- Small-sized, low maintenance

### Methods of measurement

- Electrical impedance method
- Photometry - LED based technology for measurement of hemoglobin

### Determined parameters

- 22 parameters, complete CBC including 3-part WBC differential
- WBC, RBC, HGB, HCT, MCV, MCH, MCHC, PLT, LYM, MID, GRA, LYM%, MID%, GRA%, RDW-SD, RDW-CV, PDW-SD, PDW-CV, MPV, PCT, P-LCC, P-LCR (research parameters)
- 3 histograms: WBC 3-Part, RBC, PLT

### Control and calibration

- 3 levels of control blood provided by Erba Lachema for daily quality control measurement (QC) with Levey-Jennings charts
- 2 types of calibration
- Calibration with factors
- By measuring of control blood or calibrator
- OC and calibration stored in the database

### Output of results

- Connectable to LIS (laboratory information system)
- Direct printing (built-in thermal printer)
- USB port as a standard

### Cleaning and clot protection

- 3 types of cleaning in the analyser:
- High-voltage pulse on aperture
  - Chemical cleaning
  - High pressure back-flush in aperture by using Erba Cleaner reagent



## ELite5

### Benefits

- Only 3 reagents needed (Erba Dil-5P, Erba Lyse-5P, Erba Diff-5P), environment-friendly (cyanide free)
- USB interface for support: Host computer, Keyboard, External printers, SW upgrade, Data back-up, Barcode reader (hand-held)
- Usage of standard electronic and mechanic components
- Autosampler with built-in Barcode reader and mixer (up to 100 sample tubes in 10 racks)

### Easy handling

- Full colour LCD touch-screen with high contrast ratio
- Optional 8 languages (EN, FR, DE, CZ, PT, RU, ES, Indonesian)
- User-friendly multilingual operating menu
- Sample rotor ensures safe and easy sampling
- Low maintenance

### Methods of measurement

- Volumetric impedance change for WBC, RBC and PLT
- Light scattering BASO measurement
- Light scattering 4-diff measurement: LYM, MON, NEU, EOS
- Spectrophotometry for HGB

### Determined parameters

- 26-parameters provided, complete CBC including a 5-Part WBC differential WBC, RBC, HGB, HCT, MCV, MCH, MCHC, PLT, LYM, MON, NEU, EOS, BAS, LYM%, MON%, NEU %, EOS%, BAS %, RDW-SD, RDW-CV, PDW-SD, PDW-CV, MPV, PCT, P-LCC, P-LCR
- 2 histograms: RBC and PLT
- 2 scattergrams: WBC 4-part differential and WBC/BASO

### Control and calibration

- 3 levels of control blood provided by Erba Lachema for daily quality control measurement (QC) with Levey-Jennings charts
- 2 types of calibration
- Calibration with factors
- By measuring of control blood or calibrator
- OC and calibration stored in the database

### Output of results

- connectable to LIS (laboratory information system)
- USB port as a standard

### Cleaning and clot protection

- 3 types of cleaning available:
- High-voltage pulse on aperture
  - Chemical cleaning with Erba Hypoclean CC
  - High pressure backflush of aperture bay





# PHAN®

Test Strips  
for Urine Analysis



Quick Overview  
of Patient's Health

Erba - catalogue

- Sesuai negosiasi LKPP
- Termasuk PPN
- Franko Pabrik
- Belum termasuk ongkos kirim & Biaya asuransi

Visual strips PHAN®																	
Product name	Cat. Nr.	Qty	Exp.	SG	NIT	pH	ASCO	PRO	GLU	KET	UBG	BIL	LEU	BLD	MA	CRE	CP
AlbuPHAN	10003311	50	24					●									
GlukoPHAN	10003351	50	27						●								
HemoPHAN	10003312	50	24							●							
KeroPHAN	10003313	50	30							●							
DiaPHAN	10003316	50	27						●	●							
IktoPHAN	10003315	50	24								●	●					
TriPHAN	10003320	50	27			●		●	●								
TriPHAN	10010228	100	27			●		●	●								
TetraPHAN dia	10003331	50	24			●		●	●	●							
PentaPHAN	10003322	50	24			●		●	●	●							
HexaPHAN	10003318	50	24			●		●	●	●	●						
HexaPHAN	10007382	100	24			●		●	●	●	●						
HeptaPHAN	10003317	50	24			●		●	●	●	●						
HeptaPHAN	10007383	100	24			●		●	●	●	●						
NonaPHAN SG	10003349	100	24	●	●	●		●	●	●	●						
NefroPHAN leuco	10003352	50	15			●		●	●	●	●			●			
DekaPHAN leuco	10003350	50	15	●	●	●		●	●	●	●			●			
DekaPHAN leuco	10007386	100	15	●	●	●		●	●	●	●			●			
UndekaPHAN	10003354	50	15	●	●	●		●	●	●	●			●			
MicrobuPHAN	10010244	50	21													●	●

Objective strips PHAN® LAURA																	
Product name	Cat. Nr.	Qty	Exp.	SG	NIT	pH	ASCO	PRO	GLU	KET	UBG	BIL	LEU	BLD	MA	CRE	CP
DiaPHAN LAURA	10010238	100	21								●						●
TetraPHAN SG Laura	10020292	100	21	●					●	●							●
PentaPHAN LAURA	10010239	100	21						●	●							●
HeptaPHAN LAURA	10008298	100	21						●	●	●						●
DekaPHAN LAURA	10008297	100	15	●	●	●			●	●	●			●			●
MicrobuPHAN LAURA	10010262	50	15														●



PHAN20000305EN

Specifications are subject to change without prior notice.  
Pictures used only for representation purposes - subject to change without prior notice.

Erba Lachema s.r.o.  
Karáské lán, 621 00 Brno, Czech Republic  
Tel.: +420 517 077 111  
E-mail: diagnostics@erbalachema.com  
www.erbalachema.com



Contact info / info

# TOUCH

a New Level of Performance



Erba - catalogue

- Sesuai negosiasi LKPP
- Termasuk PPN
- Franko Pabrik
- Belum termasuk ongkos kirim & Biaya asuransi

# CHEM TOUCH

Semi Automated Clinical Chemistry Analyzer

- Touch Screen Interface
- Real Time Graph
- USB Connectivity to Printer & PC
- Low Reagent Consumption
- Built in Self Diagnosis
- Triple Cuvette System

**REAL TIME GRAPH**

Advance Intimation of Abnormal Sample

**RESULT RECALCULATION**

Avoid Re-run of High Value Sample

**3 LEVELS OF QC WITH LEVY-JENNINGS PLOT**

Identifies Random & Systematic Errors

**STANDARD & SAMPLE REPLICATES**

For Accurate & Precise Results

**5 REPORTING FORMATS**

Flexibility in Reporting

**20° - 40° C TEMPERATURE SELECTION**

Adaptive to Various Chemistries

**NON LINEAR CALIBRATION UPTO 10 STANDARDS**

Futuristic Option for Test requiring Multi Calibrators

**USB INTERFACE**

Latest Technology for Interfacing

### TECHNICAL SPECIFICATIONS

#### Optical Module

- Static Photometer with photometric range (340 – 670 n.m.)
- 8 Interference Filter 340, 405, 450, 505, 546, 578, 600, 670 n.m.
- Silicon Photo Diode detectors
- Photometric Range from 0 to 2.5 O.D.
- Quartz Halogen Lamp of 12 V, 20 W

#### Measuring Module

- Unique Triple Cuvette System
  - 18 µl Flowcell
  - 10 mm Square Cuvette
  - 6 mm Round Glass Tube for Coagulation
- Variable Temperature Range from 20° C to 40° C in steps of 1° C
- Minimum Aspiration Volume - 200 µl
- Peristaltic Pump

#### Analysis Mode

- 1 – Point Linear
- 2 – Point Linear
- 1 – Point Sample Blank Linear
- Rate A Linear
- Absorbance
- 1 – Point Non Linear
- 2 – Point Non Linear
- 1 – Point Sample Blank Non Linear
- Rate A Non Linear
- Coagulation

#### Built in Quality Control

- Daily and Monthly monitoring of 3 levels of QC with Levy-Jennings Plot

#### Touch Screen Display

- High Resolution Graphics LCD with Backlight
- View Area : 120 x 92 mm

#### Memory

- 200 User Defined Programmes
- 1000 Test Results
- Reagent Blank
- 4000 Control Results

#### Result Recall

- Collated Reports by Date, ID, Date & ID
- Date & Test Wise
- Patient Report with Demographics

#### Interface

- USB Interface to PC
- USB Interface to External Printer
- Port for External Keyboard

#### Power

- External Universal SMPS Adapter
- 18 V DC, 70 W, 115/230 ± 10% V, 50 - 60 Hz

#### Size (mm) and Weight

- 200 (H) x 435 (W) x 310 (D), Approx. 7 Kgs.

ERBA Diagnostics Mannheim GmbH

Mallustraße 69-73 68219 Mannheim, Germany  
Telephone : (+49) 621 8799770 Fax : (+49) 621 8799688 Email : sales@erbamannheim.com Website : www.erbamannheim.com

**The Smart Set Urine Analysis**

LAURA<sup>®</sup> Smart is an effective and powerful solution for the analysis of urine, which is designed for laboratories, ambulances of general practitioners, family doctors and specialists. Evaluation of the urine with LAURA<sup>®</sup> Smart reader helps to eliminate any subjective interpretation of the colour reaction of the diagnostic pads and therefore remarkably contributes to the correct diagnosis of the patients.



**TECHNICAL SPECIFICATION**

**Description of the device:**

- Semi-quantitative reflectance photometer
- Measuring using LEDs and colour detector
- Wavelengths: 470, 540, 650 nm
- Latency: 55 s
- Capacity: 60 strips per hour or 240 strips per hour with using the Smart Timing<sup>®</sup>
- Touch screen (LCD display): 320 x 240 colour TFT
- Built-in thermo printer, 2 sec. / parameter
- External communication to PC / LIS via RS232 or USB port
- Possibility to connect an external keyboard or a bar code reader (BCR)
- Memory capacity: last 240 measurements
- Languages for end-users: EN, DE, FR, IT, RU, PL, CZ, HU, PT

**Working conditions:**

- External power source 7.5 V DC switch adapter 100 – 240 V / 50 – 60 Hz
- Internal power source – battery 6 x 1.5 V (type AA)
- Power consumption: 20 W max. / 1 W standby
- Temperature: optimum range 20 – 25 °C, relative humidity: 20 – 80 %
- Weight: 0.8 kg without adapter, battery and paper roll
- Dimensions: 230 x 127 x 110 mm

- The user has possibility to choose from different ways of entering the patients' samples
- The user has possibility to choose measuring units of every analysed parameter
- The user has possibility to add a short text comment to the each measured result
- The reader has the user-friendly operation menu
- The results may be printed on a built-in thermo printer with speed 2 sec. / parameter
- The reader is equipped with standard RS232 and USB connectors

Combination of parameters on the test strips PHAN<sup>®</sup> LAURA intended for LAURA<sup>®</sup> Smart:

	Leukocytes	Bilirubin	pH	Protein	Glucose	Urobilinogen	Bilirubin	Bilirubin	Blood	Specific gravity	Microalbumin	Creatinine	Urea	Concentration
DekaPHAN <sup>®</sup> LAURA	●	●	●	●	●	●	●	●	●	●	●	●	●	●
HeptaPHAN <sup>®</sup> LAURA	●	●	●	●	●	●	●	●	●	●	●	●	●	●
PentaPHAN <sup>®</sup> LAURA	●	●	●	●	●	●	●	●	●	●	●	●	●	●
DiaPHAN <sup>®</sup> LAURA	●	●	●	●	●	●	●	●	●	●	●	●	●	●
MicroalbuPHAN <sup>®</sup> LAURA	●	●	●	●	●	●	●	●	●	●	●	●	●	●

**LAURA<sup>®</sup> Smart measurement modes**

- Two possibilities of incubation
- Inside of the reader – the measurement capacity is 60 strips / hour
- Outside of the reader – the measurement capacity is till to 240 strips / hour

**Special function Smart Timing<sup>®</sup>**

The goal of Smart Timing<sup>®</sup> function is to support the user in the case of strips' incubation outside of the LAURA<sup>®</sup> Smart reader. There are 4 independent colour timers (progress bars) displayed on the screen of the reader. The user may use any of the four displayed timers which correspond with position one of the incubated strips as follow. The user can dip a new strip if the respective timer on the screen is green, after dipping the user places the strip in the corresponding position and starts the timer (by pressing the respective green bar on the screen). The timing starts, the progress bar turns to yellow, after 45 sec. the progress bar turns to red and beeps. Then the user has to place the strip onto the reader strip holder and the reader measures the strip at 60 sec.

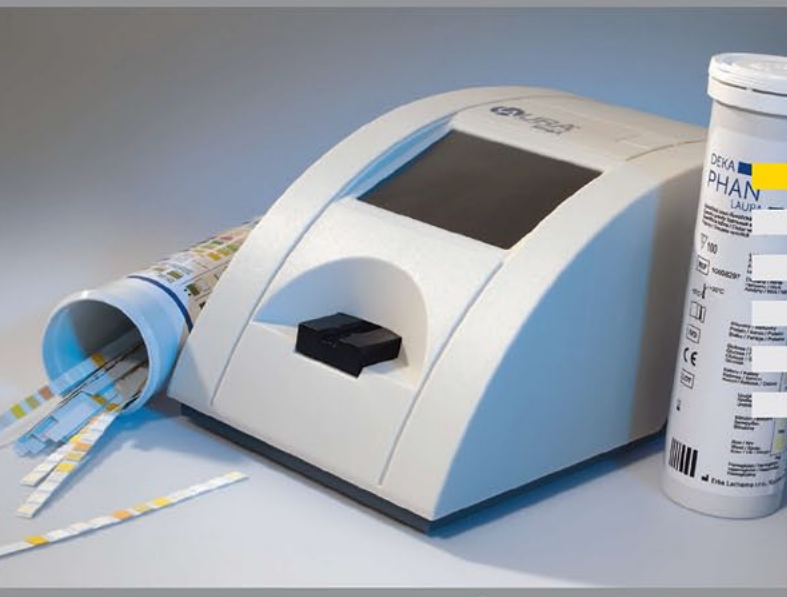
The SW enables (turns to green) a new timer in every 15 sec.; so 4 strips could be measured in 1 minute (240 strips / hour).

**LAURA<sup>®</sup> Smart benefits**

- The LAURA<sup>®</sup> Smart automatically recognise which type of PHAN<sup>®</sup> LAURA strip is measured
- Double possibilities of power: Portable mode – batteries supply (6 x 1.5 V – type AA) Stationary model – electric power
- Touch screen
- Possibility of connection to the PC or to the laboratory information system (LIS)
- Possibility of connection of the bar code reader (BCR) or of the external keyboard
- The wide choice software menu with a number of settings possibilities according to the user needs

**Control and calibration**

LAURA<sup>®</sup> Smart is calibrated automatically after every switch on. The optical parts may be calibrated additionally by request, the calibration process is controlled by special software mode with using the grey control strips.



[e - catalogue](#)

- Sesuai negosiasi LKPP
- Termasuk PPN
- Franko Pabrik
- Belum termasuk ongkos kirim & Biaya asuransi

**The Smart Set Urine Analysis**

LAURA M is quick and simple solution for the analysis of urine, which is designed for use in clinical laboratories. Objective evaluation of the urine samples by LAURA M reader helps to eliminate any subjective interpretation of the colour reaction of the diagnostic pads and therefore remarkably contributes to the correct diagnosis of the patients. User only dips the test strip into the urine sample and places it in the insert area. The next steps – movement, timing, measurement and evaluation – are done automatically by the urine analyzer.



**Technical specification**

**Description of the device:**

- Semi-quantitative reflectance photometer
- Measuring using LEDs and colour detector
- Wavelengths: 470, 525 and 625 nm
- Evaluation time: 60 s
- Capacity: 600 strips per hour
- Touch screen: colour LCD display (320 x 240 dot-matrix)
- Built-in thermal printer
- External communication to PC/LIS via RS232
- Possibility to connect an external keyboard or a bar code reader (BCR) via PS2
- Memory capacity: last 2000 measurements
- Languages for end-users: EN, FR, RU, ES

**Working conditions:**

- Power source: AC 100 – 240 V / 50 – 60 Hz
- Power consumption: ≤ 45W
- Temperature: 10 – 35 °C.
- Relative humidity: ≤ 75 %
- Weight: 6 kg
- Dimensions: 390 x 330 x 210 mm

Combination of parameters on the test strips PHAN<sup>®</sup> LAURA / Uro-dip intended for LAURA M:

	Leukocytes	Bilirubin	pH	Protein	Glucose	Urobilinogen	Bilirubin	Bilirubin	Blood	Specific gravity	Microalbumin	Creatinine	Urea	Concentration
DekaPHAN <sup>®</sup> LAURA	●	●	●	●	●	●	●	●	●	●	●	●	●	●
Uro-dip 10e	●	●	●	●	●	●	●	●	●	●	●	●	●	●
MicroalbuPHAN <sup>®</sup> LAURA	●	●	●	●	●	●	●	●	●	●	●	●	●	●

**Major features of urine analyser LAURA M:**

- High throughput
- High memory capacity
- Easy operation
- Sleek and ergonomic design
- Possibility of SW update
- Sophisticated monitoring of strip position
- Waste container for collection of used test strip

LAURA M has a standard interface RS232, which enables to connect the instrument with laboratory information system (LIS). The results of measurement are possible to print directly on the built-in thermal printer.

The reader LAURA M offers easy control by the touch screen (colour LCD), which enables quick and user-friendly control of the instrument. LAURA M automatically recognises if the waste container is full and displays warning on the screen.



[e - catalogue](#)

- Sesuai negosiasi LKPP
- Termasuk PPN
- Franko Pabrik
- Belum termasuk ongkos kirim & Biaya asuransi

**Urine Analysis – Quick and Simple**

# STERIFLASH™ ST30



## Uses And Applications

- Hospitals
- Clinics
- Ambulatories
- Geriatric residences
- Analysis laboratories
- Microbiology hospital laboratories
- Dialysis centers
- Field hospitals
- Oncology centers
- Scientific laboratories
- Veterinary centers
- Fire Stations
- Schools and Universities
- Waste treatment centers
- Penitentiaries
- Cruise Ships



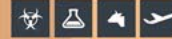
- catalogue

- Sesuai negosiasi LKPP
- Termasuk PPN
- Franko Pabrik
- Belum termasuk ongkos kirim & Biaya asuransi



[www.comtem.net](http://www.comtem.net)

## APPLICATIONS activity sectors



Medical Hazardous Health Care Waste Treatment (RHCV)  
Infectious Liquids Treatment  
Animal Waste Treatment  
Ports and Airports Waste Treatment

STERIFLASH® processes the Hazardous Health-Care Waste (HHCW) right at the same location it is generated, transforming it through a quick and simple process, into municipal waste.

### Working Principle:

The waste to be processed is introduced in the machine.  
The waste is mechanically shredded inside the treatment tank.  
The automatic treatment cycle injects saturated steam from the steam generator reaching a Temperature above 135°C at 3,2 bar Pressure during 20 minutes.

The waste unloading door automatically opens expelling the processed solid waste into a collection container. The processed liquid waste, already treated, is filtered and cooled before evacuated through the liquid drain.

### Process Control:

The operator touch-screen informs through all the process about the different steps of the cycle, reflecting the Temperature, Pressure and time values of the treatment process.

The cycle parameters are printed in paper, as well as data of the cycles performed are registered in an internal memory log.

### Safety:

- Door safety devices prevent the shredder from turning when doors are open.
- Gases are expelled through a HEPA microbiological filter.
- Liquid waste is de-contaminated and cooled before evacuated through the drain.
- The shredder unit is integrated inside the contamination tank, thus treated in every cycle.
- Electric and electronic control components are installed in an independent integrated electric cabinet.
- Each unit is supplied with its own CE declaration certificate.

### System Advantages:

- Clean and Environmentally Safe Technology.
- Radiation-Free Technology.
- Microwave-Free Technology
- Easy handling:  
All elements integrated in a single on-site installation.
- Cost reduction:  
Operational costs are reduced by waste treatment process implication.
- Risk reduction:  
Waste handling reduction and no need for waste storage and transport.
- Simplicity:  
No need for special bins, containers or special waste bags.

### Options:

- Automatic loading system.
- Automatic processed waste bin filling system
- Remote Mobile Data or Ethernet connection for technical service and reporting.
- Extended cycle data storage.
- Others.

## STERIFLASH™ The On-Site Medical Waste Treatment Solution

### Types of Waste

- Syringes and needles
- Scalpels and other metallic instruments
- Petri plates and test tubes
- Plastic containers
- Dialysis filters
- Blood lines
- Clothes and other fabrics
- Nonwoven wipes
- Paper waste
- Organic material
- Glass
- Other biomedical waste

DATA SHEET ST	ST-30	UNITS	REMARKS
<b>TECHNICAL FEATURES</b>			
Tank capacity	30	liters	
Measures L/W/H	800 x 750 x 175	mm.	
Net weight	350	Kg.	
Weight with packaging	420	Kg.	
Weight at full load	356	Kg.	
<b>TREATMENT CYCLE / NOMINAL SETTINGS</b>			
Temperature	135	°C	Programmable
Pressure	3,2	Bar.	Programmable
Sterilization Cycle	20	Min.	Programmable
<b>PROCESS FEATURES</b>			
Average volume to be processed per cycle	30	liters	
Power consumption	3,5	kWh/cycle	
Water consumption per cycle	30	liters	
Bacteriocidal consumption per cycle	Not applicable	liters	Variable
Steam consumption	6	Kg./cycle	
Estimated time per cycle (min/max)	90/112	Min.	Variable*
Max. Volume processed	30	liters	
Max. Weight processed	3 to 4,5	Kg.	Variable*
Final granulometry	6	mm.	
<b>INSTALLATION FEATURES</b>			
Compressed Air	Not required		
Water	30	l/min	
Drain (diameter)	2"	l/min	
Power installed	5,5	Kw.	
Electric network	240V 1P+N+PE	50 Hz 25A	
Power cable	5G 6mm <sup>2</sup> of 3m		
Internet	Optional		

Data without contractual value. COMTEM may vary the equipment characteristics without prior notice.

**500** 500 liters tank capacity

**-85%** Up to 85% waste volume reduction  
Lower cost €kg of waste

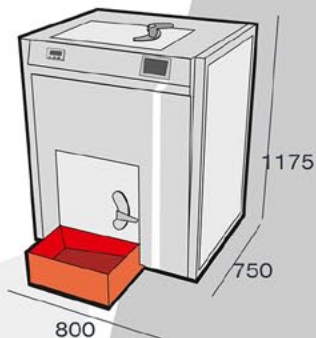
The solution for Hazardous Health Care Waste (HHCW) on-site treatment

ISO 9001 QUALITY CERTIFICATE

ISO 14001 ENVIRONMENT CERTIFICATE

CE CONFORMITY

INNOVATIVE SME CERTIFICATE



SIZE IN MM.

# STERIFLASH™ ST80



## Uses And Applications

- Hospitals
- Clinics
- Ambulatories
- Geriatric residences
- Analysis laboratories
- Microbiology hospital laboratories
- Dialysis centers
- Field hospitals
- Oncology centers
- Scientific laboratories
- Veterinary centers
- Fire Stations
- Schools and Universities
- Waste treatment centers
- Penitentiaries
- Cruise Ships



catalogue

- Sesuai negosiasi LKPP
- Termasuk PPN
- Franko Pabrik
- Belum termasuk ongkos kirim & Biaya asuransi



www.comtem.net



Medical Hazardous Health Care Waste Treatment (PHCW)  
Infectious Liquids Treatment  
Animal Waste Treatment  
Ports and Airports Waste Treatment

STERIFLASH® processes the Hazardous Health-Care Waste (HHCW) right at the same location it is generated, transforming it through a quick and simple process, into municipal waste.

### Working Principle:

The waste to be processed is introduced in the machine.  
The waste is mechanically shredded inside the treatment tank.  
The automatic treatment cycle injects saturated steam from the steam generator reaching a Temperature above 135°C at 3.2 bar Pressure during 20 minutes.

The waste unloading door automatically opens expelling the processed solid waste into a collection container. The processed liquid waste, already treated, is filtered and cooled before evacuated through the liquid drain.

### Process Control:

The operator touch-screen informs through all the process about the different steps of the cycle, reflecting the Temperature, Pressure and time values of the treatment process.

The cycle parameters are printed in paper, as well as data of the cycles performed are registered in an internal memory log.

### Safety:

- Door safety devices prevent the shredder from turning when doors are open.
- Gases are expelled through a HEPA microbiological filter.
- Liquid waste is de-contaminated and cooled before evacuated through the drain.
- The shredder unit is integrated inside the contamination tank, thus treated in every cycle.
- Electric and electronic control components are installed in an independent integrated electric cabinet.
- Each unit is supplied with its own CE declaration certificate.

### System Advantages:

- Clean and Environmentally Safe Technology.
- Radiation-Free Technology.
- Microwave-Free Technology
- Easy handling:  
All elements integrated in a single on-site installation.
- Cost reduction:  
Operational costs are reduced by waste treatment process implication.
- Risk reduction:  
Waste handling reduction and no need for waste storage and transport.
- Simplicity:  
No need for special bins, containers or special waste bags.

### Options:

- Automatic loading system.
- Automatic processed waste bin filling system
- Remote Mobile Data or Ethernet connection for technical service and reporting
- Extended cycle data storage.
- Others.

APPLICATIONS  
activity sectors

# STERIFLASH™

The On-Site Medical Waste Treatment Solution

## Types of Waste

- Syringes and needles
- Scalpels and other metallic instruments
- Petri plates and test tubes
- Plastic containers
- Dialysis filters
- Blood lines
- Cloths and other fabrics
- Nonwoven wipes
- Paper waste
- Organic material
- Glass
- Other biomedical waste

DATA SHEET ST	ST-80	UNITS	REMARKS
<b>TECHNICAL FEATURES</b>			
Tank capacity	80	liters	
Measures L/W/H	1,250 x 800 x 1.550	mm.	
Net weight	450	Kg.	
Weight with packaging	550	Kg.	
Weight at full load	465	Kg.	

TREATMENT CYCLE / NOMINAL SETTINGS			
Temperature	135	°C	Programmable
Pressure	3,2	Bar.	Programmable
Sterilization Cycle	20	Min.	Programmable

PROCESS FEATURES			
Average volume to be processed per cycle	80	liters	
Power consumption	3,6	kWh/cycle	
Water consumption per cycle	25	liters	
Bactericidal consumption per cycle	0,03	liters	Variable
Steam consumption	3	Kg./cycle	
Estimated time per cycle (min/max)	70/90	Min.	Variable*
Max. Volume processed	80	liters	
Max. Weight processed	8 to 12	Kg.	Variable*
Final granulometry	6	mm.	

\* See Variables of a machine cycle

INSTALLATION FEATURES			
Compressed Air	Built in compressor + tank	220V/240V, 50Hz	10 liters tank at 8 Bar
Water	30	l/min	
Drain (diameter)	2"	l/min	
Power installed	14	Kw.	
Electric network	400v 3P+N+PE	50Hz 25A	
Power cable	5G 6 mm <sup>2</sup> of 3m		
Internet	Optional		

Data without contractual value. COMTEM may vary the equipment characteristics without prior notice.

**500** 500 liters tank capacity

**-85%** Up to 85% waste volume reduction  
Lower cost €/kg of waste

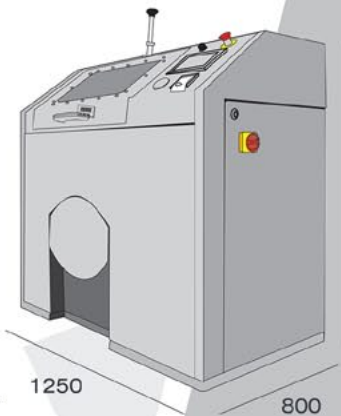
The solution for Hazardous Health Care Waste (PHCW) on-site treatment

ISO 9001 QUALITY CERTIFICATE

ISO 14001 ENVIRONMENT CERTIFICATE

CE CONFORMITY

INNOVATIVE SME CERTIFICATE



SIZE IN MM.

# STERIFLASH™ ST200



## Uses And Applications

- Hospitals
- Clinics
- Ambulatories
- Geriatric residences
- Analysis laboratories
- Microbiology hospital laboratories
- Dialysis centers
- Field hospitals
- Oncology centers
- Scientific laboratories
- Veterinary centers
- Fire Stations
- Schools and Universities
- Waste treatment centers
- Penitentiaries
- Cruise Ships



[e - catalogue](#)

- Sesuai negosiasi LKPP  
- Termasuk PPN  
- Franko Pabrik  
- Belum termasuk ongkos kirim & Biaya asuransi



[www.comtem.net](http://www.comtem.net)



Medical Hazardous Health Care Waste Treatment (HHCW)  
Infectious Liquids Treatment  
Animal Waste Treatment  
Ports and Airports Waste Treatment

STERIFLASH® processes the Hazardous Health-Care Waste (HHCW) right at the same location it is generated, transforming it through a quick and simple process, into municipal waste.

### Working Principle:

The waste to be processed is introduced in the machine. The waste is mechanically shredded inside the treatment tank.

The automatic treatment cycle injects saturated steam from the steam generator reaching a Temperature above 135°C at 3,2 bar Pressure during 20 minutes.

The waste unloading door automatically opens expelling the processed solid waste into a collection container. The processed liquid waste, already treated, is filtered and cooled before evacuated through the liquid drain.

### Process Control:

The operator touch-screen informs through all the process about the different steps of the cycle, reflecting the Temperature, Pressure and time values of the treatment process.

The cycle parameters are printed in paper, as well as data of the cycles performed are registered in an internal memory log.

### Safety:

- Door safety devices prevent the shredder from turning when doors are open.
- Gases are expelled through a HEPA microbiological filter.
- Liquid waste is de-contaminated and cooled before evacuated through the drain.
- The shredder unit is integrated inside the contamination tank, thus treated in every cycle.
- Electric and electronic control components are installed in an independent integrated electric cabinet.
- Each unit is supplied with its own CE declaration certificate.

### System Advantages:

- Clean and Environmentally Safe Technology.
- Radiation-Free Technology.
- Microwave-Free Technology
- Easy handling: All elements integrated in a single on-site installation.
- Cost reduction: Operational costs are reduced by waste treatment process implication.
- Risk reduction: Waste handling reduction and no need for waste storage and transport.
- Simplicity: No need for special bins, containers or special waste bags.

### Options:

- Automatic loading system.
- Automatic processed waste bin filling system
- Remote Mobile Data or Ethernet connection for technical service and reporting.
- Extended cycle data storage.
- Others.

## APPLICATIONS activity sectors

# STERIFLASH™

The On-Site Medical Waste Treatment Solution

## Types of Waste

- Syringes and needles
- Scalpels and other metallic instruments
- Petri plates and test tubes
- Plastic containers
- Dialysis filters
- Blood lines
- Cloths and other fabrics
- Nonwoven wipes
- Paper waste
- Organic material
- Glass
- Other biomedical waste

DATA SHEET ST	ST-200	UNITS	REMARKS
<b>TECHNICAL FEATURES</b>			
Tank capacity	200	liters	
Measures L/W/H	1.770 x 1.055 x 2.320	mm.	
Net weight	815	Kg.	
Weight with packaging	1.000	Kg.	
Weight at full load	855	Kg.	
<b>TREATMENT CYCLE / NOMINAL SETTINGS</b>			
Temperature	135	°C	Programmable
Pressure	3,2	Bar.	Programmable
Sterilization Cycle	20	Min.	Programmable
<b>PROCESS FEATURES</b>			
Average volume to be processed per cycle	200	liters	
Power consumption	6,6	kWh/cycle	
Water consumption per cycle	55	liters	
Bactericidal consumption per cycle	0,05	liters	Variable
Steam consumption	6	Kg./cycle	
Estimated time per cycle (min/max)	90/112	Min.	Variable*
Max. Volume processed	200	liters	
Max. Weight processed	20 to 30	Kg.	Variable*
Final granulometry	6	mm.	
* See Variables of a machine cycle			
<b>INSTALLATION FEATURES</b>			
Compressed Air	Built in compressor+tank	220V/240V, 50Hz	15 liters tank at 8 Bar
Water	30	l/min	
Drain (diameter)	2"	l/min	
Power installed	25	Kw.	
Electric network	400v 3P+N+PE	50/60Hz 35A	
Power cable	5G 6 mm <sup>2</sup> of 3m		
Internet	Optional		

Data without contractual value. COMTEM may vary the equipment characteristics without prior notice.

**500** 500 liters tank capacity

**-85%** Up to 85% waste volume reduction  
Lower cost €/kg of waste

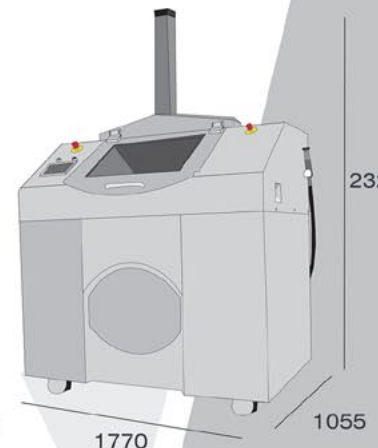
The solution for Hazardous Health Care Waste (HHCW) on-site treatment

ISO 9001 QUALITY CERTIFICATE

ISO 14001 ENVIRONMENT CERTIFICATE

CE CONFORMITY

INNOVATIVE SME CERTIFICATE



SIZE IN MM.

1770

1055

THIS DOCUMENT IS FOR INFORMATIONAL PURPOSES. WITHOUT CONTRACTUAL VALUE. INFORMATION AND DATA MAY BE SUBJECT TO CHANGE.

**Ambulance Strehcher Multipurpose**  
**BAS - 303 - M**  
**AKD 20903210115**



[e - catalogue](#)

- Sesuai negosiasi LKPP
- Termasuk PPN
- Franko Pabrik
- Belum termasuk ongkos kirim & Biaya asuransi

**Specification**

Construction :	Hollow pipe, pipe, PVC, Aluminium Cor Plate
Base Plate :	made of Stainless Steel Plate
Mattress :	Mattress foam semi latex covered with vinyl, 6cm.
Finishing :	Polished
Side Rail :	Stainless Steel side rail with handle locks, can be fold.
I.V Stand:	High-quality Stainless Steel material with 2 Infusion holder
Wheels:	RHJTW 4 "using 2 wheels plain and 2 wheellock
Max Load:	150 Kg
Weight:	36 Kg
Size :	a Sleep : (L) 190 x (W) 58 x (H) 88 cm Sit Down : (L) 115 x (W) 58 x (H) 140 cm
Note:	Position Back Raise, This brancard could be several such positions, folded into a chair with a certain slope, each connection is made of aluminum and iron in Crom, there is an extra wheel to facilitate entry into the ambulance.

**Ambulance Strehcher Standart**  
**BAS - 301 - S**  
**AKD 20903410126**



[e - catalogue](#)

- Sesuai negosiasi LKPP
- Termasuk PPN
- Franko Pabrik
- Belum termasuk ongkos kirim & Biaya asuransi

**Specification**

Construction :	Pipe, Iron As, PVC, Aluminium Cor, Plate
Base Plate :	Made of plate Stainless Steel
Mattress :	Mattress foam semi latex covered with vinyl, 6cm.
Finishing :	Polished
Side Rail :	Stainless Steel side rail with handle locks, can be fold
I.V Stand:	High-quality Stainless Steel material with 2 Infusion holder
Wheels:	RHJTW 4 "using 2 wheels plain and 2 wheel lock
Max Load :	150 Kg
Weight :	34.5 Kg
Stand size :	(L) 190 x (W) 60 x (H) 88 cm
Bendable size :	(L) 190 x (W) 60 x (H) 36 cm
Note :	Back Raise, backrest tilt can be adjusted using the regulator is behind the backrest, cast aluminum connection, the legs fitted with PVC to make it easier when the ambulance entrance.

**Baby Cot P/C**  
**BBC - 101**  
**AKD 20902210042**



[e - catalogue](#)

- Sesuai negosiasi LKPP
- Termasuk PPN
- Franko Pabrik
- Belum termasuk ongkos kirim & Biaya asuransi

**Specification**

Construction :	Steel Hollow, pipe, Plate is a material qualified and selected
Mattress :	Mattress foam semi latex covered with vinyl, 6cm.
Base :	Made of Plywood
Finishing :	Epoxy Powder Coating
Side Rail :	Steel side rail with handle locks, can be fold and easy its user
Panel Head & Feet :	Steel
Wheels :	Castor 2 " using 2 wheels plain and 2 wheel lock
Max Load :	50 Kg
Size :	(L) 80 x (W) 50 x (H) 120 cm
Note :	On the side rails are 1 piece side access door with a lock so that when the baby is in a safe box.

**Baby Cot S/S**  
**BBC - 201**



[e - catalogue](#)

- Sesuai negosiasi LKPP
- Termasuk PPN
- Franko Pabrik
- Belum termasuk ongkos kirim & Biaya asuransi

**Specification**

Construction :	Stainless Steel Hollow , pipe, Plate is a material qualified and selected
Mattress :	Mattress foam semi latex covered with vinyl, 6cm.
Base :	Made of Plywood
Finishing :	Polished for
Side Rail :	Stainless Steel side rail with handle locks, can be fold and easy its user for
Panel Head & Feet :	Stainless Steel
Wheels :	Castor 2 " using 2 wheels plain and 2 wheel lock
Max Load :	50 Kg
Size :	(L) 80 x (W) 50 x (H) 120 cm
Note :	On the side rails are 1 piece side access door with a lock so that when the baby is in a safe box.

**Bed Pasien  
BHB-101-RHB  
AKD10902410095**



[e - catalogue](#)

- Sesuai negosiasi LKPP
- Termasuk PPN
- Franko Pabrik
- Belum termasuk ongkos kirim & Biaya asuransi

**Specification**

<b>Construction</b>	Steel Hollow 40x40x1.5mm, Stainless Steel Pipe plate, Iron As material qualified and selected.
<b>Base plate</b>	Made of steel sheet
<b>Mattress</b>	Mattress foam semi latek covered with vynil, 120 mm
<b>Finishing</b>	Epoxy Powder Coating
<b>Dimensions</b>	L. 210 x W. 91 x H. 62 cm
<b>Max. Load</b>	150 Kg
<b>Foot</b>	Bolt Planting System
<b>Head &amp; Foot Panel</b>	Made of Stainless Steel pipe & Plywood
<b>Note</b>	The head and foot panel using knockdown system, the base there is a guard mattress. There strap fixation patients, on the legs using bolts planting system,
<b>Accessories</b>	Fixation strap hands and foot, side guard mattress, Bolt.

**Bed Screen Single P/C  
BSS-101-S**



[e - catalogue](#)

- Sesuai negosiasi LKPP
- Termasuk PPN
- Franko Pabrik
- Belum termasuk ongkos kirim & Biaya asuransi

**Specification**

<b>Construction</b>	Steel Hollow 40x20x1.2mm, Steel Pipe $\varnothing$ 1/2"x1.2mm, Cloth material qualified and selected.
<b>Type Screen</b>	Single
<b>Finishing</b>	Epoxy Powder Coating
<b>Dimensions</b>	L. 90 x W. 50 x H. 175 mm
<b>Cover</b>	White Cloth
<b>Wheel</b>	4 pcs 2", Two wheels with locking.
<b>Note</b>	insulating cloth using cloth adhesive system that can be released and cleaned separately
<b>Accessories</b>	Cover white cloth

**Bed Screen Single S/S  
BSS-201-S**



[e - catalogue](#)

- Sesuai negosiasi LKPP
- Termasuk PPN
- Franko Pabrik
- Belum termasuk ongkos kirim & Biaya asuransi

**Specification**

<b>Construction</b>	Steel Stainless Steel Hollow 40x20x1.2mm, Steel Pipe 3/4"x1.2mm, Cloth material qualified and selected.
<b>Type Screen</b>	Single
<b>Finishing</b>	Polished
<b>Dimensions</b>	L. 90 x W. 50 x H. 175 mm
<b>Cover</b>	White Cloth
<b>Wheel</b>	4 pcs 2", Two wheels with locking.
<b>Note</b>	insulating cloth using cloth adhesive system that can be released and cleaned separately
<b>Accessories</b>	Cover white cloth

**Bed Screen Double P/C  
BSS - 102 - D**



[e - catalogue](#)

- Sesuai negosiasi LKPP
- Termasuk PPN
- Franko Pabrik
- Belum termasuk ongkos kirim & Biaya asuransi

**Specification**

<b>Construction</b>	Steel Hollow 40x20x1.2mm, Steel Pipe $\varnothing$ 1/2"x1.2mm, Cloth material qualified and selected.
<b>Type Screen</b>	Double
<b>Finishing</b>	Epoxy Powder Coating
<b>Dimensions</b>	L. 180 x W. 50 x H. 175 mm
<b>Cover</b>	White Cloth
<b>Wheel</b>	4 pcs 2", Two wheels with locking.
<b>Note</b>	insulating cloth using cloth adhesive system that can be released and cleaned separately
<b>Accessories</b>	Cover white cloth

### Bed Screen Double S/S

BSS - 202 - D



e - catalogue

- Sesuai negosiasi LKPP
- Termasuk PPN
- Franko Pabrik
- Belum termasuk ongkos kirim & Biaya asuransi

#### Specification

<b>Construction</b>	Steel Stainless Steel Hollow 40x20x1.2mm, Steel Pipe $\varnothing$ 3/4"x1.2mm, Cloth material qualified and selected.
<b>Type Screen</b>	Double
<b>Finishing</b>	Polished
<b>Dimensions</b>	L. 180 x W. 50 x H. 175 mm
<b>Cover</b>	White Cloth
<b>Wheel</b>	4 pcs 2", Two wheels with locking.
<b>Note</b>	insulating cloth using cloth adhesive system that can be released and cleaned separately
<b>Accessories</b>	Cover white cloth

### Bed Screen Triple P/C

BSS-103-T



e - catalogue

- Sesuai negosiasi LKPP
- Termasuk PPN
- Franko Pabrik
- Belum termasuk ongkos kirim & Biaya asuransi

#### Specification

<b>Construction</b>	Steel Hollow 40x20x1.2mm, Steel Pipe $\varnothing$ 1/2"x1.2mm, Cloth material qualified and selected.
<b>Type Screen</b>	Triple
<b>Finishing</b>	Epoxy Powder Coating
<b>Dimensions</b>	L. 270 x W. 50 x H. 175 mm
<b>Cover</b>	White Cloth
<b>Wheel</b>	4 pcs 2", Two wheels with locking.
<b>Note</b>	insulating cloth using cloth adhesive system that can be released and cleaned separately
<b>Accessories</b>	Cover white cloth

### Bed Screen Triple S/S

BSS-203-T



e - catalogue

- Sesuai negosiasi LKPP
- Termasuk PPN
- Franko Pabrik
- Belum termasuk ongkos kirim & Biaya asuransi

#### Specification

<b>Construction</b>	Steel Stainless Steel Hollow 40x20x1.2mm, Steel Pipe 3/4"x1.2mm, Cloth material qualified and selected.
<b>Type Screen</b>	Triple
<b>Finishing</b>	Polished
<b>Dimensions</b>	L. 270 x W. 50 x H. 175 mm
<b>Cover</b>	White Cloth
<b>Wheel</b>	4 pcs 2", Two wheels with locking.
<b>Note</b>	insulating cloth using cloth adhesive system that can be released and cleaned separately
<b>Accessories</b>	Cover white cloth

### Bed Side Cabinet

BSC-101



e - catalogue

- Sesuai negosiasi LKPP
- Termasuk PPN
- Franko Pabrik
- Belum termasuk ongkos kirim & Biaya asuransi

#### Specification

<b>Construction</b>	Steel Hollow 25x25x1.2mm, Plate t: 1mm, Iron As 8" mm , Plywood 15mm, material qualified and selected.
<b>Top Cabinet</b>	Made of plywood and coated in varnish & melaminto
<b>Finishing</b>	Epoxy Powder Coating
<b>Wheels</b>	2" Castor, two wheels wearing lockdown.
<b>Max Load</b>	50 Kg
<b>Weight</b>	23.5 Kg
<b>size</b>	(L) 45 x (W) 40 x (H) 90 cm
<b>Accessories</b>	Hanger, Drawer, & Top mimbar
<b>Note</b>	There is 1 piece of drawers, cabinets and 1 lower storage space, beside there are hanger towel that can be set.



**Bed Side Cabinet Food Tray**  
BSC-102-FT



e - catalogue

- Sesuai negosiasi LKPP
- Termasuk PPN
- Franko Pabrik
- Belum termasuk ongkos kirim & Biaya asuransi

**Specification**

<b>Construction :</b>	Steel Hollow 25x25x1.2mm, Plate t:1mm, Iron As 8" mm , Plywood 15mm, Aluminium List, material qualified and selected.
<b>Top Cabinet :</b>	Made of plywood and coated in varnish & melaminto
<b>Food tray :</b>	Steel Hollow, plywood, aluminium list
<b>Finishing :</b>	Epoxy Powder Coating
<b>Wheels :</b>	2" Castor, two wheels wearing lockdown.
<b>Max Load :</b>	50 Kg
<b>Weight :</b>	23.5 Kg
<b>size :</b>	(L) 45 x (W) 40 x (H) 95 cm
<b>Accessories :</b>	Hanger, Drawer, Food tray & Top mimbar
<b>Note :</b>	there is 1 piece of drawers, 1 food tray, cabinets and 1 lower storage space, beside there are hanger towel that can be set

**Bed Side Cabinet ABS**  
BSC - 101- A



e - catalogue

- Sesuai negosiasi LKPP
- Termasuk PPN
- Franko Pabrik
- Belum termasuk ongkos kirim & Biaya asuransi

**Specification**

<b>Construction :</b>	Plastic ABS is a material qualified.
<b>Top Cabinet :</b>	Made of Plastic ABS
<b>Finishing :</b>	Molded
<b>Wheels :</b>	2" Castor, two wheels wearing lockdown.
<b>Max Load :</b>	50 Kg
<b>size :</b>	(L) 48 x (W) 46.5 x (H) 81 cm
<b>Accessories :</b>	Hanger, Drawer & Food Tray
<b>Note :</b>	there is 1 piece of drawers, cabinets and 1 lower storage space, bed side there are, hanger towel that can be set

**Brancart Complete S/S**  
BBP - 203 - C  
AKD 10903210118



e - catalogue

- Sesuai negosiasi LKPP
- Termasuk PPN
- Franko Pabrik
- Belum termasuk ongkos kirim & Biaya asuransi

**Specification**

<b>Construction :</b>	Hollow, pipe, Iron Bar, Plate is a material qualified and selected
<b>Material :</b>	Stainless Steel
<b>Mattress :</b>	Mattress super foam covered with vinyl, 8cm thickness.
<b>Base :</b>	made of Plywood
<b>Finishing :</b>	Polished
<b>Side Rail :</b>	Stainless Steel side rail with locks
<b>I.V Stand :</b>	High-quality Stainless Steel material with 2 Infusion holder
<b>Wheels :</b>	RHJTW 4 "using 2 wheels plain and 2 wheel lock
<b>Max Load :</b>	150 Kg
<b>Size :</b>	(L) 200 x (W) 77 x (H) 80 cm
<b>Note :</b>	section side rail can be folded or lowered with the manual system and the tilt adjustable backrest section with backraise adjuster.

**Brangkart High - Low P/C**  
BBP-104-HL  
AKD 10903410149



e - catalogue

- Sesuai negosiasi LKPP
- Termasuk PPN
- Franko Pabrik
- Belum termasuk ongkos kirim & Biaya asuransi

**Specification**

<b>Construction</b>	Steel Hollow, Steel Pipe ,Stainless Steel Pipe, plate, Iron As
<b>Base plate</b>	Made of steel sheet
<b>Mattress</b>	Mattress foam semi latek covered with vynil, 120 mm thickness
<b>Finishing</b>	Epoxy Powder Coating
<b>Dimensions</b>	L. 200 x W. 65 x H. 55 - 87 cm
<b>Max. Load</b>	200 Kg
<b>Wheel</b>	4 pcs RHJTW 4", Two wheels with locking
<b>Side Guard</b>	Made of Stainless Steel
<b>Head &amp; Foot Panel</b>	Made of Stainless Steel
<b>I.V Stand</b>	High quality Stainless Steel material with 2 infused holder
<b>Position</b>	Back raise & high - Low
<b>Mover</b>	By Manual Crank & Adjuster
<b>Note</b>	This brangcart can be height adjustable with a crank, the tilt adjustable backrest section with backraise adjuster.
<b>Accessories</b>	There are 1 piece bracket oxygen, Infus stand.

**Brancart Patient P/C**  
**BBP - 201**  
**AKD 10903210119**



e - catalogue

- Sesuai negosiasi LKPP
- Termasuk PPN
- Franko Pabrik
- Belum termasuk ongkos kirim & Biaya asuransi

**Specification**

Construction	Stainless Steel Pipe,Steel Hollow ,Plate ,Iron As, Plywood material qualified and selected.
Base	Made of Plywood
Mattress	Mattress foam semi latek covered with vynil, 80 mm thickness
Finishing	Polished
Dimensions	(L) 200 x (W) 65 x (H) 80 cm
Max. Load	200 Kg
Side Guard	Stainless Steel Pipe side rail with locks,can be fold and easy.
I.V Stand	High-quality Stainless Steel material with 2 Infusion holder
Wheel	4 pcs 4", Two wheels with locking.
Mover	By manual Adjuster
Position	Back raise
Accessories	Infus Stand, Side Guard
Note	section side rail can be folded or lowered with the manual system and the tilt adjustable backrest section with backraise adjuster.

**Children Hospital Bed P/C (Pediatric Bed)**  
**BHC-101**  
**AKD 20902210043**



e - catalogue

- Sesuai negosiasi LKPP
- Termasuk PPN
- Franko Pabrik
- Belum termasuk ongkos kirim & Biaya asuransi

**Specification**

Construction	Steel Hollow 30x30x1.2mm,Pipe, plate 1mm,Iron As material qualified and selected.
Base plate	Made of Sheet Plate
Mattress	Mattress foam semi latek covered with vynil, 11 cm thickness
Finishing	Epoxy Powder Coating
Dimensions	L. 180 x W. 82 x H. 135 cm
Max. Load	100 Kg
Wheel	4 pcs RHJTW 4", Two wheels with locking
Infus Stand	High quality Stainless Steel material with 2 infused holder
Side Guard	Steel Pipe
Head & Foot Panel	Steel Pipe
Note	The base bed using knockdown system,
Accessories	Steel side guard, Stand Infus

**Children Hospital Bed S/S (Pediatric Bed)**  
**BHC-201-1C**  
**AKD 20902410128**



e - catalogue

- Sesuai negosiasi LKPP
- Termasuk PPN
- Franko Pabrik
- Belum termasuk ongkos kirim & Biaya asuransi

**Specification**

Construction	Stainless Steel Hollow ,Pipe, plate 1mm,Iron As material qualified
Base plate	Made of Stainless steel
Mattress	Mattress foam semi latek covered with vynil, 11 cm thickness
Finishing	Polished
Dimensions	L. 180 x W. 82 x H. 135 cm
Max. Load	100 Kg
Wheel	4 pcs RHJTW 4", Two wheels with locking
Infus Stand	High quality Stainless Steel material with 2 infused holder
Mover	By manual Crank
Side Guard	Stainless Steel
Head & Foot Panel	Stainless Steel
Note	the base bed using knockdown system,
Accessories	Stainless Steel side guard, Stand Infus

**Dressing Trolley P/C**  
**BDT - 101**



e - catalogue

- Sesuai negosiasi LKPP
- Termasuk PPN
- Franko Pabrik
- Belum termasuk ongkos kirim & Biaya asuransi

**Specification**

Construction	Steel Hollow 20x20x1.2mm,Pipe $\varnothing$ 1/2"x1.2mm, Plate t:1mm is a material qualified and selected.
Base	Made of Steel Plate
Finishing	Epoxy Powder Coating
Side Guard	Steel As $\varnothing$ 8mm
Handle	Steel Pipe
Wheels	4 pcs 3" Wheel, 2 wheels wearing a safety lock
Max Load	50 Kg
Size	(L) 70 x (W) 43 x (H) 80 cm
Accessories	Handle,2 Drawer, 1 bracket bucket and 1 bracket basin
Note	There are two shelves and a hollow pipe as side guards, shelves made of Steel Plate,There are 2 piece of drawers made of steel.

### Dressing Trolley S/S

BDT - 201



[e - catalogue](#)

- Sesuai negosiasi LKPP
- Termasuk PPN
- Franko Pabrik
- Belum termasuk ongkos kirim & Biaya asuransi

#### Specification

<b>Construction</b>	Stainless Steel Hollow 25x25x1.2mm, Pipe $\varnothing$ 1"x1.2mm , plate 1mm, Iron As $\varnothing$ 8mm material qualified and selected.
<b>Base plate</b>	Made of Stainless Steel
<b>Finishing</b>	Polished
<b>Dimensions</b>	L. 700 x W. 430 x H. 860 mm
<b>Max. Load</b>	50 Kg
<b>Wheel</b>	RHJTW 3", Two wheels with locking
<b>Side Guard</b>	Iron As
<b>Note</b>	There are two shelves and a Iron As as side guards, equipped with handles and 2 storage drawer, there are 1 and bracket basin bucket.
<b>Optional</b>	basin & bucket

### Examine Table P/C

BET - 101

AKD 10903310418



[e - catalogue](#)

- Sesuai negosiasi LKPP
- Termasuk PPN
- Franko Pabrik
- Belum termasuk ongkos kirim & Biaya asuransi

#### Specification

<b>Construction</b>	Steel Hollow pipe, iron bar ,Plate is a material qualified and selected.
<b>Material</b>	Steel
<b>Finishing</b>	Epoxy Powder Coating
<b>Mattress</b>	Mattress Super foam covered with vinyl, 8cm thickness.
<b>Base Plate</b>	made of Plywood
<b>Footwear</b>	Made from a rubber mold
<b>Movers</b>	Manual Adjuster
<b>Max Load</b>	150 Kg
<b>Size</b>	(L) 190 x (W) 65 x (H) 80 cm
<b>Position</b>	Back Raise
<b>Note</b>	Include Foot Step

### Examine Table S/S

BET-201

AKD 10903210044



[e - catalogue](#)

- Sesuai negosiasi LKPP
- Termasuk PPN
- Franko Pabrik
- Belum termasuk ongkos kirim & Biaya asuransi

#### Specification

<b>Construction</b>	Stainless Steel Hollow pipe, pipe, iron bar ,Plate is a material qualified and selected.
<b>Material</b>	Stainless Steel
<b>Finishing</b>	Polished
<b>Mattress</b>	Mattress Super foam covered with vinyl, 8cm thickness.
<b>Base Plate</b>	made of Plywood
<b>Footwear</b>	Made from a rubber mold
<b>Movers</b>	Manual Adjuster
<b>Max Load</b>	150 Kg
<b>Size</b>	(L) 190 x (W) 65 x (H) 80 cm
<b>Position</b>	Back Raise
<b>Note</b>	Foot Step

### Gyneacolog Chair P/C

BGY-101

AKD 21104410082



[e - catalogue](#)

- Sesuai negosiasi LKPP
- Termasuk PPN
- Franko Pabrik
- Belum termasuk ongkos kirim & Biaya asuransi

#### Specification

<b>Construction</b>	Steel Pipe, Stainless Steel pipe, Plate ,Iron As, material qualified
<b>Base</b>	Made of Plywood
<b>Mattress</b>	Mattress foam semi latek covered with vnyil, 80 mm thckn
<b>Finishing</b>	Polished
<b>Dimensions</b>	L. 170 x W. 65 x H. 90 cm
<b>Max. Load</b>	150 Kg
<b>Weight</b>	34 Kg
<b>Infus Stand</b>	High quality Stainless Steel material with 2 infused holder
<b>Side Guard</b>	Made of Steel pipe
<b>Mover</b>	By manual Adjuster
<b>Position</b>	Backrest & Knee raise
<b>Note</b>	the backrest and footrest can be adjusted by using the tilt ,adjuster the adjuster is made of SPHC plate with a thickness of 5 mm and milling process,
<b>Accessories</b>	Leg Support, Holder the basin, Stand Infus

**Gyneacolog Chair S/S**  
**BGY-201-CC**  
**AKD 21104410102**



[e - catalogue](#)

- Sesuai negosiasi LKPP
- Termasuk PPN
- Franko Pabrik
- Belum termasuk ongkos kirim & Biaya asuransi

**Specification**

<b>Construction</b>	Hollow , Pipe,Iron bar,Plate, plate elbow is a material qualified .
<b>Material</b>	Stainless Steel
<b>Mattress</b>	Mattress foam semi latex covered with vinyl, 8cm thickness.
<b>Finishing</b>	Polished
<b>Footwear</b>	Made from a rubber mold
<b>Dimensions</b>	(L) 170 x (W) 65 x (H) 90 cm
<b>Max. Load</b>	150 Kg
<b>Infus Stand</b>	High quality Stainless Steel material with 2 infused holder
<b>Side Guard</b>	pipe side rail
<b>Mover</b>	By manual Crank
<b>Position</b>	Backrest, Knee raise & Cushion raise
<b>Note</b>	the backrest and footrest can be adjusted by using the tilt adjuster ,the adjuster is made of SPHC plate 5 mm and milling process, To ease movement / tilt, cushion using crank.
<b>Accessories</b>	Leg Support, Holder the basin, Stand Infus,

**Gyneacolog Chair S/S**  
**BGY-201**  
**AKD 21104310412**



[e - catalogue](#)

- Sesuai negosiasi LKPP
- Termasuk PPN
- Franko Pabrik
- Belum termasuk ongkos kirim & Biaya asuransi

**Specification**

<b>Construction</b>	Hollow,Pipe,Iron bar,Plate, plate elbow is a material qualified
<b>Material</b>	Stainless Steel
<b>Mattress</b>	Mattress foam semi latex covered with vinyl, 8cm thickness.
<b>Finishing</b>	Polished
<b>Footwear</b>	Made from a rubber mold
<b>Dimensions</b>	(L) 170 x (W) 65 x (H) 90 cm
<b>Max. Load</b>	150 Kg
<b>Infus Stand</b>	High quality Stainless Steel material with 2 infused holder
<b>Side Guard</b>	pipe side rail
<b>Position</b>	Backrest, Knee raise
<b>Note</b>	the backrest and footrest can be adjusted by using the tilt adjuster ,the adjuster is made of SPHC plate with a thickness of 5 mm and milling process.
<b>Accessories</b>	Leg Support, Holder the basin, Stand Infus,

**Gynaecolog Chair Electric S/S**  
**BGY - 202 - CE**  
**AKD 20902010094**



[e - catalogue](#)

- Sesuai negosiasi LKPP
- Termasuk PPN
- Franko Pabrik
- Belum termasuk ongkos kirim & Biaya asuransi

**Specification**

<b>Construction</b>	Stainless Steel Pipe,Hollow, Iron As, Plate is a material qualified and selected.
<b>Base Plate</b>	Made of Plywood
<b>Mattress</b>	Mattress foam semi latex covered with vinyl, 6cm thickness.
<b>Finishing</b>	Polished
<b>Side Rail</b>	Stainless Steel side rail
<b>I.V Stand</b>	High-quality Stainless Steel material with 2 Infusion holder
<b>Mover</b>	By Actuator Motor
<b>Weight</b>	76 Kg
<b>size</b>	(L) 190 x (W) 67 x (H) 67 - 87 cm
<b>Accessories</b>	Foot Rest, Leg Support, Foot Step, Side Guard Stainless Steel, Dirt Basin.
<b>Note</b>	Position Back Raise,Seat,High & Low, Parts of the junction legs/foot removable backrest, Actuator with power 4000N-6000N, Ac 110/220 Volt 50/60Hz & 300 VA.

**Gyneacolog Examine Table S/S**  
**BGT - 201**  
**AKD 21104410096**



[e - catalogue](#)

- Sesuai negosiasi LKPP
- Termasuk PPN
- Franko Pabrik
- Belum termasuk ongkos kirim & Biaya asuransi

**Specification**

<b>Construction</b>	Hollow , Pipe , pipe ,Plate ,Iron bar material qualified
<b>Material</b>	Stainless Steel
<b>Base</b>	Made of Plywood
<b>Mattress</b>	Mattress foam semi latek covered with vynil, 80 mm
<b>Finishing</b>	Polised
<b>Dimensions</b>	L. 180 x W. 65 x H. 88 cm
<b>Max. Load</b>	150 Kg
<b>Infus Stand</b>	High quality Stainless Steel material with 2 infused holder
<b>Mover</b>	By manual Crank & Adjuster
<b>Position</b>	Backrest, Head raise
<b>Note</b>	The backrest and Head raise can be adjusted by using the tilt adjuster ,the adjuster is made of SPHC plate with a thickness of 5 mm , To ease movement / tilt, cushion using crank.
<b>Accessories</b>	Leg Support, Holder the basin, Stand Infus, Foot Step

**Hospital Bed 1 Crank ABS**  
**BHB - 103 - 1ABS**  
**AKD 10902310414**



[e - catalogue](#)

- Sesuai negosiasi LKPP
- Termasuk PPN
- Franko Pabrik
- Belum termasuk ongkos kirim & Biaya asuransi

**Specification**

<b>Construction :</b>	Steel Pipe,Hollow, Iron As, Plate is a material qualified.
<b>Base Plate :</b>	Made of Steel Sheet
<b>Mattress :</b>	Mattress foam semi latex covered with vinyl, 12cm.
<b>Finishing :</b>	Epoxy Powder Coating
<b>Side Guard :</b>	Aluminium
<b>Panel ;</b>	ABS Panel
<b>I.V Stand :</b>	High-quality Stainless Steel material with 2 Infusion holder
<b>Mover</b>	By Manual Crank
<b>Wheels</b>	4" RHJTW, two-wheel and 2 wheel locks wear plain
<b>Max Load :</b>	150 Kg
<b>Weight :</b>	60 Kg
<b>size :</b>	(L) 220 x (W) 95 x (H) 55 cm
<b>Accessories :</b>	Aluminium Side guard, Stand Infus.
<b>Position :</b>	Backrest
<b>Note:</b>	the side guard is equipped with a lock.

**Hospital Bed 1 Crank ABS - New**  
**BHB - 103 - 1CK**



[e - catalogue](#)

- Sesuai negosiasi LKPP
- Termasuk PPN
- Franko Pabrik
- Belum termasuk ongkos kirim & Biaya asuransi

**Specification**

<b>Construction</b>	Steel Hollow, plate ,Iron As, material qualified.
<b>Base plate</b>	Made of steel sheet
<b>Mattress</b>	Mattress foam semi latek covered with vynil, 120 mm
<b>Finishing</b>	Epoxy Powder Coating
<b>Dimensions</b>	L. 2200 x W. 950 x H. 600 mm
<b>Max. Load</b>	150 Kg
<b>Wheel</b>	4 pcs 5", Two wheels with locking
<b>Side Guard</b>	Made of Aluminium
<b>Panel</b>	Made of ABS Panel
<b>I.V Stand</b>	High quality Stainless Steel material with 2 infused holder
<b>position</b>	Back raise
<b>Mover</b>	By Manual Crank made of Plastic
<b>Note</b>	the Head and Foot panel using knockdown system, for movement supported by the crank.
<b>Accessories</b>	Stand infus, Aluminium side guard.

**Hospital Bed 2 Crank ABS**  
**BHB - 104 - 2ABS**  
**AKD 10902310413**



[e - catalogue](#)

- Sesuai negosiasi LKPP
- Termasuk PPN
- Franko Pabrik
- Belum termasuk ongkos kirim & Biaya asuransi

**Specification**

<b>Construction :</b>	Steel Pipe,Hollow, Iron As, Plate is a material qualified.
<b>Base Plate :</b>	Made of Steel Sheet
<b>Mattress :</b>	Mattress foam semi latex covered with vinyl, 12cm.
<b>Finishing :</b>	Epoxy Powder Coating
<b>Side Guard :</b>	Aluminium
<b>Panel ;</b>	ABS Panel
<b>I.V Stand :</b>	High-quality Stainless Steel material with 2 Infusion holder
<b>Mover</b>	By Manual Crank
<b>Wheels :</b>	4" RHJTW, two-wheel and 2 wheel locks wear plain
<b>Max Load :</b>	150 Kg
<b>Weight :</b>	74 Kg
<b>size :</b>	(L) 220 x (W) 95 x (H) 60 cm
<b>Accessories :</b>	Aluminium Side guard, Stand Infus.
<b>Position :</b>	Backrest, Knee Raise
<b>Note:</b>	the side guard is equipped with a lock.

**Hospital Bed 2 Crank ABS - New**  
**BHB - 104 - 2CK**



[e - catalogue](#)

- Sesuai negosiasi LKPP
- Termasuk PPN
- Franko Pabrik
- Belum termasuk ongkos kirim & Biaya asuransi

**Specification**

<b>Construction</b>	Steel Hollow, plate ,Iron As, material qualified.
<b>Base plate</b>	Made of steel sheet
<b>Mattress</b>	Mattress foam semi latek covered with vynil, 120 mm
<b>Finishing</b>	Epoxy Powder Coating
<b>Dimensions</b>	L. 2200 x W. 950 x H. 600 mm
<b>Max. Load</b>	150 Kg
<b>Wheel</b>	4 pcs 5", Two wheels with locking
<b>Side Guard</b>	Made of Aluminium
<b>Panel</b>	Made of ABS Panel
<b>I.V Stand</b>	High quality Stainless Steel material with 2 infused holder
<b>position</b>	Back raise & Knee raise
<b>Mover</b>	By Manual Crank made of Plastic
<b>Note</b>	the Head and Foot panel using knockdown system, for movement supported by the crank.
<b>Accessories</b>	Stand infus, Aluminium side guard.

**Hospital Bed 3 Crank ABS**  
**BHB - 105 - 3ABS**  
**AKD 10902310415**



[e - catalogue](#)

- Sesuai negosiasi LKPP
- Termasuk PPN
- Franko Pabrik
- Belum termasuk ongkos kirim & Biaya asuransi

**Specification**

<b>Construction</b>	Steel Pipe,Hollow, Iron As, Plate is a material qualified.
<b>Base Plate</b>	Made of Steel Sheet
<b>Mattress</b>	Mattress foam semi latex covered with vinyl, 12cm .
<b>Finishing</b>	Epoxy Powder Coating
<b>Side Guard</b>	Aluminium
<b>Panel</b>	ABS Panel
<b>I.V Stand</b>	High-quality Stainless Steel material with 2 Infusion holder
<b>Mover</b>	By Manual Crank
<b>Wheels</b>	4" RHJTW, two-wheel and 2 wheel locks wear plain
<b>Max Load</b>	150 Kg
<b>Weight</b>	76.5 Kg
<b>size</b>	(L) 220 x (W) 95 x (H) 46 - 68 cm
<b>Accessories</b>	Aluminium Side guard, Stand Infus.
<b>Position</b>	Backrest, Knee Raise & High Low
<b>Note</b>	the side guard is equipped with a lock.

**Hospital Bed 3 Crank ABS - New**  
**BHB - 105 - 3CK**



[e - catalogue](#)

- Sesuai negosiasi LKPP
- Termasuk PPN
- Franko Pabrik
- Belum termasuk ongkos kirim & Biaya asuransi

**Specification**

<b>Construction</b>	Steel Hollow , plate ,Iron As, material qualified.
<b>Base plate</b>	Made of steel sheet
<b>Mattress</b>	Mattress foam semi latek covered with vynil, 120 mm
<b>Finishing</b>	Epoxy Powder Coating
<b>Dimensions</b>	L. 2200 x W. 950 x H. 460 - 680 mm
<b>Max. Load</b>	150 Kg
<b>Wheel</b>	4 pcs 5", Two wheels with locking
<b>Side Guard</b>	Made of Aluminium
<b>Panel</b>	Made of ABS Panel
<b>I.V Stand</b>	High quality Stainless Steel material with 2 infused holder
<b>position</b>	Back raise , Knee raise & High Low
<b>Mover</b>	By Manual Crank made of Plastic
<b>Note</b>	the Head and Foot panel using knockdown system, for movement supported by the crank.
<b>Accessories</b>	Stand infus, Aluminium side guard.

**Hospital Bed Economi P/C**  
**BHB - 101 - EC**  
**AKD 10902410137**



[e - catalogue](#)

- Sesuai negosiasi LKPP
- Termasuk PPN
- Franko Pabrik
- Belum termasuk ongkos kirim & Biaya asuransi

**Specification**

<b>Construction</b>	Steel Hollow ,Steel Pipe, plate 1mm,Iron As material qualified
<b>Base plate</b>	Made of steel sheet
<b>Mattress</b>	Mattress foam semi latek covered with vynil, 120 mm thick
<b>Finishing</b>	Epoxy Powder Coating
<b>Dimensions</b>	L. 2000 x W. 960 x H. 1000 mm
<b>Max. Load</b>	150 Kg
<b>Weight</b>	23 Kg
<b>Footwear</b>	Made from a plastic mold
<b>Side Guard</b>	Made of Steel
<b>Head&amp;Foot Panel</b>	Made of Steel pipe
<b>Note</b>	the base bed using knockdown system. the legs fitted with rubber shoes to protective, the base there is a guard mattress.
<b>Accessories</b>	Stand infus, side guard

**Hospital Bed Electric**  
**BHB-108-E**  
**AKD 20902010095**



[e - catalogue](#)

- Sesuai negosiasi LKPP
- Termasuk PPN
- Franko Pabrik
- Belum termasuk ongkos kirim & Biaya asuransi

**Specification**

<b>Construction</b>	Steel Pipe,Hollow, Iron As, Plate is a material qualified.
<b>Base Plate</b>	Made of Steel Sheet
<b>Mattress</b>	Mattress foam semi latex covered with vinyl, 12cm
<b>Finishing</b>	Epoxy Powder Coating
<b>Side Guard</b>	Aluminium
<b>Panel</b>	ABS Panel
<b>I.V Stand</b>	High-quality Stainless Steel material with 2 Infusion holder
<b>Mover</b>	By Electrical Actuator Motor
<b>Wheels</b>	4" two-wheel and 2 wheel locks wear plain
<b>Max Load</b>	200 Kg
<b>Weight</b>	108 Kg
<b>size</b>	(L) 220 x (W) 95 x (H) 55 - 87 cm
<b>Accessories</b>	Aluminium Side guard, Stand Infus.
<b>Position</b>	Backrest, Knee Raise & High Low
<b>Note</b>	the side guard is equipped with a lock,

**Incubator Digital Control**  
**BICB-101-DC**  
**AKD 20902010093**



[e - catalogue](#)

- Sesuai negosiasi LKPP
- Termasuk PPN
- Franko Pabrik
- Belum termasuk ongkos kirim & Biaya asuransi

**Specification**

<b>Construction :</b>	Steel Hollow, Pipe, Plate, PVC, Acrylic is a material qualified.
<b>Base Plate :</b>	Made of Acrylic & Plate
<b>Mattress :</b>	Mattress foam semi latex covered with vinyl, 8 cm.
<b>Finishing :</b>	Epoxy Powder Coating
<b>Side Rail :</b>	Acrylic 3mm
<b>I.V Stand :</b>	High-quality Stainless Steel material with 2 Infusion holder
<b>Wheels :</b>	4" Wheel Suppo, two wheels with locking
<b>Max Load :</b>	8 Kg
<b>size :</b>	(L) 110 x (W) 54 x (H) 145 cm
<b>Accessories :</b>	Thermometer, Higrometer, Stand Infus, Mattress.
<b>Power :</b>	350 Watt, AC 220 Volt, 50/60 Hz
<b>Temperature :</b>	25 <sup>o</sup> c - 38 <sup>o</sup> c Elektronik Profesional Control High air
<b>Control :</b>	temperature 38 <sup>o</sup> C audible with buzzer
<b>Note :</b>	equipped with an alarm system.

**Infusion Stand P/C (I.V. Stand)**  
**BIS - 101 - 5W**  
**AKD 10903210116**



[e - catalogue](#)

- Sesuai negosiasi LKPP
- Termasuk PPN
- Franko Pabrik
- Belum termasuk ongkos kirim & Biaya asuransi

**Specification**

<b>Construction :</b>	Steel Pipe, Hollow, Plate, Stainless Steel Pipe, Iron As is a material qualified and selected.
<b>Material :</b>	Steel
<b>Foot :</b>	Made of Steel Hollow
<b>Finishing :</b>	Epoxy Powder Coating & Polished
<b>I.V Stand :</b>	High-quality Stainless Steel material with 2 Infusion holder
<b>Mover :</b>	By Manual
<b>Wheels :</b>	2" Castor, two wheels wearing lockdown.
<b>Max Load :</b>	2 Kg
<b>size :</b>	(L) 50 x (W) 50 x (H) 112 - 194 cm
<b>Accessories :</b>	Locking pole
<b>Note :</b>	the pole in the infusion can be height adjustable up to 190 and use the locking knobstar

**Instrument Glass Trolley P/C**  
**BIT - 101**



[e - catalogue](#)

- Sesuai negosiasi LKPP
- Termasuk PPN
- Franko Pabrik
- Belum termasuk ongkos kirim & Biaya asuransi

**Specification**

<b>Construction</b>	Steel Hollow 20x20x1.2mm, Glass t:5mm is a material qualified and selected.
<b>Base</b>	Made of Glass
<b>Finishing</b>	Epoxy Powder coating
<b>Side Guard</b>	Steel hollow
<b>Handle</b>	Steel hollow
<b>Wheels</b>	4 pcs 2" Wheel, 2 wheels wearing a safety lock
<b>Max Load</b>	20 Kg
<b>Size</b>	(L) 60 x (W) 40 x (H) 80 cm
<b>Accessories</b>	Glass shelves
<b>Note</b>	There are two shelves and a hollow pipe as side guards, shelves made of glass that is locked with a stainless steel plate. on each side of the glass there is a lock in order not to shift.

**Instrument Glass Trolley S/S**  
**BIT - 201**



[e - catalogue](#)

- Sesuai negosiasi LKPP
- Termasuk PPN
- Franko Pabrik
- Belum termasuk ongkos kirim & Biaya asuransi

**Specification**

<b>Construction</b>	Stainless Steel Hollow 20x20x1.2mm, Glass t:5mm is a material qualified and selected.
<b>Base</b>	Made of Glass
<b>Finishing</b>	Polished
<b>Side Guard</b>	Stainless Steel hollow
<b>Handle</b>	Stainless Steel hollow
<b>Wheels</b>	4 pcs 2" Wheel, 2 wheels wearing a safety lock
<b>Max Load</b>	20 Kg
<b>Size</b>	(L) 60 x (W) 40 x (H) 80 cm
<b>Accessories</b>	Glass shelves
<b>Note</b>	There are two shelves and a hollow pipe as side guards, shelves made of glass that is locked with a stainless steel plate.

### Instrument Trolley 1 Drawer P/C

BIT - 102 - 1D



[e - catalogue](#)

- Sesuai negosiasi LKPP
- Termasuk PPN
- Franko Pabrik
- Belum termasuk ongkos kirim & Biaya asuransi

#### Specification

<b>Construction</b>	Steel Hollow 20x20x1.2mm,Pipe 1/2"x1.2mm, Plate t::1mm is a material qualified and selected.
<b>Base</b>	Made of Steel Plate
<b>Type</b>	1 Drawer
<b>Finishing</b>	Epoxy Powder Coating
<b>Side Guard</b>	Steel hollow
<b>Handle</b>	Steel Pipe
<b>Wheels</b>	4 pcs 2" Wheel, 2 wheels wearing a safety lock
<b>Max Load</b>	50 Kg
<b>Size</b>	(L) 70 x (W) 43 x (H) 80 cm
<b>Accessories</b>	Handle & Drawer
<b>Not</b>	There are two shelves and a hollow pipe as side guards, shelves made of Steel Plate,There are 1 piece of drawers made of steel.

### Instrument Trolley 1 Drawer S/S

BIT - 202 - 1D



[e - catalogue](#)

- Sesuai negosiasi LKPP
- Termasuk PPN
- Franko Pabrik
- Belum termasuk ongkos kirim & Biaya asuransi

#### Specification

<b>Construction</b>	Stainless Steel Hollow 20x20x1.2mm,Pipe 1/2"x1.2mm, Plate t::1mm is a material qualified and selected.
<b>Base</b>	Made of Stainless Steel Plate
<b>Type</b>	1 Drawer
<b>Finishing</b>	Polished
<b>Side Guard</b>	Stainless Steel hollow
<b>Handle</b>	Stainless Steel Pipe
<b>Wheels</b>	4 pcs 2" Wheel, 2 wheels wearing a safety lock
<b>Max Load</b>	50 Kg
<b>Size</b>	(L) 70 x (W) 43 x (H) 80 cm
<b>Accessories</b>	Handle & Drawer
<b>Note</b>	There are two shelves and a hollow pipe as side guards, shelves made of Stainless Steel Plate,There are 1 piece of drawers made of stainless steel.

### Instrument Trolley 2 Drawer P/C

BIT - 101 - 2D



[e - catalogue](#)

- Sesuai negosiasi LKPP
- Termasuk PPN
- Franko Pabrik
- Belum termasuk ongkos kirim & Biaya asuransi

#### Specification

<b>Construction</b>	Steel Hollow 20x20x1.2mm,Pipe 1/2"x1.2mm, Plate t::1mm is a material qualified and selected.
<b>Base</b>	Made of Steel Plate
<b>Type</b>	2 Drawer
<b>Finishing</b>	Polished
<b>Side Guard</b>	Steel hollow
<b>Handle</b>	Steel Pipe
<b>Wheels</b>	4 pcs 2" Wheel, 2 wheels wearing a safety lock
<b>Max Load</b>	50 Kg
<b>Size</b>	(L) 70 x (W) 43 x (H) 80 cm
<b>Accessories</b>	Handle & Drawer
<b>Note</b>	There are two shelves and a hollow pipe as side guards, shelves made of Steel Plate,There are 2 piece of drawers made of steel

### Instrument Trolley 2 Drawer S/S

BIT - 201 - 2D



[e - catalogue](#)

- Sesuai negosiasi LKPP
- Termasuk PPN
- Franko Pabrik
- Belum termasuk ongkos kirim & Biaya asuransi

#### Specification

<b>Construction</b>	Stainless Steel Hollow 20x20x1.2mm,Pipe 1/2"x1.2mm, Plate t::1mm is a material qualified and selected.
<b>Base</b>	Made of Stainless Steel Plate
<b>Type</b>	2 Drawer
<b>Finishing</b>	Polished
<b>Side Guard</b>	Stainless Steel hollow
<b>Handle</b>	Stainless Steel Pipe
<b>Wheels</b>	4 pcs 2" Wheel, 2 wheels wearing a safety lock
<b>Max Load</b>	50 Kg
<b>Size</b>	(L) 70 x (W) 43 x (H) 80 cm
<b>Accessories</b>	Handle & Drawer
<b>Note</b>	There are two shelves and a hollow pipe as side guards, shelves made of Stainless Steel Plate,There are 2 piece of drawers made of stainless steel.



### Instrument Trolley P/C

BIT - 102



e - catalogue

- Sesuai negosiasi LKPP
- Termasuk PPN
- Franko Pabrik
- Belum termasuk ongkos kirim & Biaya asuransi

#### Specification

<b>Construction :</b>	Steel Hollow 20x20x1.2mm, Pipe 1/2"x1.2mm, Plate t::1mm is a material qualified and selected.
<b>Material :</b>	Steel
<b>Base :</b>	Made of Steel
<b>Finishing :</b>	Epoxy Powder Coating
<b>Side Guard :</b>	Steel hollow
<b>Handle :</b>	Steel Pipe
<b>Wheels :</b>	4 pcs 2" Wheel, 2 wheels wearing a safety lock
<b>Max Load :</b>	50 Kg
<b>Size :</b>	(L) 70 x (W) 40 x (H) 80 cm
<b>Accessories :</b>	Handle
<b>Note:</b>	There are two shelves and a hollow pipe as side guards, shelves made of Steel Plate.

### Instrument Trolley S/S

BIT - 202



e - catalogue

- Sesuai negosiasi LKPP
- Termasuk PPN
- Franko Pabrik
- Belum termasuk ongkos kirim & Biaya asuransi

#### Specification

<b>Construction :</b>	Pipe, Hollow, Plate is a material qualified and selected.
<b>Material :</b>	Stainless steel
<b>Base :</b>	Made of Stainless Steel Plate
<b>Finishing :</b>	polished
<b>Side Guard :</b>	Stainless Steel hollow
<b>Handle :</b>	Stainless Steel Pipe
<b>Wheels :</b>	2" , two wheels with locking
<b>Max Load :</b>	50 Kg
<b>Size :</b>	(L) 70 x (W) 40 x (H) 80 cm
<b>Accessories :</b>	Handle
<b>Note:</b>	There are two shelves and a hollow pipe as side guards, equipped with handles.

### Linen Trolley P/C

BLNT - 101



e - catalogue

- Sesuai negosiasi LKPP
- Termasuk PPN
- Franko Pabrik
- Belum termasuk ongkos kirim & Biaya asuransi

#### Specification

<b>Construction :</b>	Stainless Steel Pipe, Hollow, Iron As, Plate is a material qualified and selected.
<b>Base :</b>	Made of Steel sheet
<b>Finishing :</b>	Epoxy Powder Coating
<b>Side Rail :</b>	iron as
<b>Wheels :</b>	4" wheel, 2 wheels wearing locks
<b>Max Load :</b>	100 Kg
<b>Size :</b>	(L) 100 x (W) 55 x (H) 110 cm
<b>Accessories :</b>	Linen
<b>Note:</b>	part body made from steel plate in bending, the top has 2 shelves equipped with the side guide, the handle is made of stainless steel pipe.
<b>Optional :</b>	all materials are made of stainless steel

### Linen Trolley S/S

BLNT - 201



e - catalogue

- Sesuai negosiasi LKPP
- Termasuk PPN
- Franko Pabrik
- Belum termasuk ongkos kirim & Biaya asuransi

#### Specification

<b>Construction</b>	Stainless Steel pipe, stainless Hollow, iron as & Plate 1mm is a material qualified and selected.
<b>Base</b>	Made of Stainless steel
<b>Material</b>	Stainless Steel
<b>Finishing</b>	Polished
<b>Side Rail</b>	Stainless Steel Iron as
<b>Handle</b>	Stainless steel pipe
<b>Castor</b>	4 pcs 4" Wheel, 2 wheels wearing a safety lock
<b>Max. Load</b>	70 Kg
<b>Dimension</b>	L. 100 x W. 55 x H. 110 cm
<b>Weight</b>	34.5 Kg
<b>Accessories</b>	Bag Linen
<b>Note</b>	Part body made from Stainless steel plate in bending, There are two shelves and the top has 2 shelves equipped with the side guards, equipped with a handle.

### Mattress 12 Cm

BMA - 303



[e - catalogue](#)

- Sesuai negosiasi LKPP
- Termasuk PPN
- Franko Pabrik
- Belum termasuk ongkos kirim & Biaya asuransi

#### Specification

<b>Construction :</b>	Ffoam semi latex covered with vinyl
<b>Finishing :</b>	Sewing
<b>consists of :</b>	Open the zipper to access the foam
<b>type of material :</b>	-Water repellent
<b>Dimensions :</b>	(L) 195 x (W) 85 x (H) 12 cm thickness
<b>Weight :</b>	4.6 Kg
<b>Accessories :</b>	zipper
<b>Type mattress :</b>	Mattress flexible and follows the contours
<b>Note:</b>	vinyl and foam can be cleaned separately.

### Mattress 14 Cm

BMA - 302



[e - catalogue](#)

- Sesuai negosiasi LKPP
- Termasuk PPN
- Franko Pabrik
- Belum termasuk ongkos kirim & Biaya asuransi

#### Specification

<b>Construction :</b>	Ffoam semi latex covered with vinyl
<b>Finishing :</b>	Sewing
<b>consists of :</b>	Open the zipper to access the foam
<b>type of material :</b>	Water repellent
<b>Weight :</b>	- Kg
<b>size :</b>	(L) 195 x (W) 85 x (H) 14 cm thickness
<b>Accessories :</b>	zipper
<b>Type mattress :</b>	Mattress flexible and follows the contours
<b>Note:</b>	vinyl and foam can be cleaned separately.

### Mayo Stand/Instrument Table S/S

BMS - 201



[e - catalogue](#)

- Sesuai negosiasi LKPP
- Termasuk PPN
- Franko Pabrik
- Belum termasuk ongkos kirim & Biaya asuransi

#### Specification

<b>Construction</b>	Stainless Steel Hollow ,Steel Pipe, Plate is a material qualified and selected.
<b>Base Top</b>	Made of Stainless Steel Plate
<b>Food tray</b>	Stainless Steel Plate in Bending
<b>Finishing</b>	Polished
<b>Mover</b>	By Manual adjuster
<b>Wheels</b>	4 pcs 2" Wheel, 2 wheels wearing a safety lock
<b>Max Load</b>	15 Kg
<b>Weight</b>	7 Kg
<b>size</b>	(L) 70 x (W) 40 x (H) 85 - 130 cm
<b>Accessories</b>	Round lock the pole
<b>Note</b>	the top is made from Stainless Steel Plate which is easy to clean, for food tray height can be adjusted up to 130 cm.

### Mayo Stand S/S

BMS - 202



[e - catalogue](#)

- Sesuai negosiasi LKPP
- Termasuk PPN
- Franko Pabrik
- Belum termasuk ongkos kirim & Biaya asuransi

#### Specification

<b>Construction :</b>	Stainless Steel pipe , Hollow is a material qualified and selected.
<b>Top :</b>	Made of melaminto
<b>Food tray :</b>	Melaminto, plywood, HPL
<b>Finishing :</b>	Polished
<b>Mover :</b>	By Manual adjuster
<b>Wheels :</b>	2" Castor, two wheels wearing lockdown.
<b>Max Load :</b>	20 Kg
<b>Weight :</b>	- Kg
<b>size :</b>	(L) 70 x (W) 45 x (H) 80 - 100 cm
<b>Accessories :</b>	Round lock the pole
<b>Note :</b>	The top is made from melamine which is easy to clean, for food tray height can be adjusted .

### Over Bed Table Deluxe P/C

BMS - 102 - GS



[e - catalogue](#)

- Sesuai negosiasi LKPP
- Termasuk PPN
- Franko Pabrik
- Belum termasuk ongkos kirim & Biaya asuransi

#### Specification

<b>Construction :</b>	Pipe, Hollow, iron bar, plate, Plywood & melaminto is a material qualified and selected.
<b>Material :</b>	Steel & Stainless Steel
<b>Top :</b>	Made of plywood
<b>Food tray :</b>	Molded plywood
<b>Finishing :</b>	Epoxy Powder Coating & polished
<b>Mover :</b>	By Gaspring
<b>Wheels :</b>	2" Castor, two wheels wearing lockdown.
<b>Max Load :</b>	15 Kg
<b>size :</b>	(L) 70 x (W) 40 x (H) 85 - 130 cm
<b>Note :</b>	Height and slope of the tray can be set with a round handle and lock

### Over Bed Table Gaspring ABS

BMSG - 101 - ABS



[e - catalogue](#)

- Sesuai negosiasi LKPP
- Termasuk PPN
- Franko Pabrik
- Belum termasuk ongkos kirim & Biaya asuransi

#### Specification

<b>Construction :</b>	Pipe, Hollow, iron bar, plate, Plywood & melaminto is a material qualified and selected.
<b>Material :</b>	Steel & ABS
<b>Top :</b>	Made of ABS
<b>Finishing :</b>	Epoxy Powder Coating & polished
<b>Mover :</b>	Manual Gaspring
<b>Wheels :</b>	2" Castor, two wheels wearing lockdown.
<b>Max Load :</b>	15 Kg
<b>size :</b>	L. 82 x W. 40 x H. (79 - 108.5) cm
<b>Note :</b>	The height of the tray can be adjusted as needed

### Over Bed Table P/C

BMS - 101



[e - catalogue](#)

- Sesuai negosiasi LKPP
- Termasuk PPN
- Franko Pabrik
- Belum termasuk ongkos kirim & Biaya asuransi

#### Specification

<b>Construction :</b>	Pipe, Hollow, iron bar, plate, Plywood & melaminto is a material qualified and selected.
<b>Material :</b>	Steel & Stainless Steel
<b>Top :</b>	Made of plywood
<b>Food tray :</b>	Molded plywood
<b>Finishing :</b>	Epoxy Powder Coating & polished
<b>Mover :</b>	Manual adjuster
<b>Wheels :</b>	2" Castor, two wheels wearing lockdown.
<b>Max Load :</b>	15 Kg
<b>size :</b>	(L) 70 x (W) 40 x (H) 85 - 130 cm
<b>Accessories :</b>	Equipped with a locking pole lap
<b>Note :</b>	Height and slope of the tray can be set with a round handle and lock

### Medicine Cabinet P/C 1 Door

BMC - 101 - 1P



[e - catalogue](#)

- Sesuai negosiasi LKPP
- Termasuk PPN
- Franko Pabrik
- Belum termasuk ongkos kirim & Biaya asuransi

#### Specification

<b>Construction</b>	Steel Hollow, Plate, Glass is a material qualified & selected.
<b>Shelves</b>	3 Shelves Made of Glass
<b>Bracket</b>	Made of Aluminium, retention bracket height can be adjusted according to need
<b>Type door</b>	1 Door
<b>Finishing</b>	Epoxy Powder Coating
<b>Side Guard</b>	Made of Glass
<b>Max Load</b>	20 Kg
<b>Weight</b>	59.7 Kg
<b>size</b>	(L) 70 x (W) 45 x (H) 170 cm
<b>Accessories</b>	Lock door, Handle, Bracket Aluminium.
<b>Note</b>	the side of the cabinets are made of steel plate, shelves made of glass 5mm and adjustable, equipped with lock and handle. Under cabinets and doors are made of steel plate fitted with a lock and handle.

### Medicine Cabinet S/S 1 Door

BMC - 201 - 1P



[e - catalogue](#)

- Sesuai negosiasi LKPP
- Termasuk PPN
- Franko Pabrik
- Belum termasuk ongkos kirim & Biaya asuransi

#### Specification

<b>Construction</b>	Stainless Steel Hollow, Plate, Glass is a material qualified
<b>Shelves</b>	3 Shelves Made of Glass
<b>Braket</b>	Made of Aluminium, retention bracket height can be adjusted according to need
<b>Type door</b>	1 Door
<b>Finishing</b>	Polished
<b>Side Guard</b>	Made of Glass
<b>Max Load</b>	20 Kg
<b>Weight</b>	60.3 Kg
<b>size</b>	(L) 70 x (W) 45 x (H) 170 cm
<b>Accessories</b>	Lock door, Handle, Bracket Aluminium.
<b>Note</b>	The side of the cabinets are made of steel plate, shelves made of glass 5mm and adjustable, equipped with lock and handle. Under cabinets and doors are made of steel plate fitted with a lock and handle.

### Medicine Cabinet P/C 2 Doors

BMC - 103 - 2P



[e - catalogue](#)

- Sesuai negosiasi LKPP
- Termasuk PPN
- Franko Pabrik
- Belum termasuk ongkos kirim & Biaya asuransi

#### Specification

<b>Construction</b>	Steel Hollow, Plate is a material qualified and selected.
<b>Material</b>	Steel
<b>Shelves</b>	3 Shelves Made of Glass
<b>Braket</b>	Made of Aluminium, retention bracket height can be adjusted according to need
<b>Type door</b>	2 Door
<b>Finishing</b>	Epoxy Powder Coating
<b>Side Guard</b>	Made of Glass
<b>Max Load</b>	20 Kg
<b>size</b>	(L) 90 x (W) 45 x (H) 170 cm
<b>Accessories</b>	Lock door, Handle, Bracket Aluminium.
<b>Note</b>	The side of the cabinets are made of steel plate, shelves made of glass 5mm and adjustable, equipped with lock and handle. Under cabinets and 1 & 2 doors are made of steel plate fitted with a lock and handle

### Medicine Cabinet S/S

BMC - 203 - 2P



[e - catalogue](#)

- Sesuai negosiasi LKPP
- Termasuk PPN
- Franko Pabrik
- Belum termasuk ongkos kirim & Biaya asuransi

#### Specification

<b>Construction</b>	Steel Hollow, Plate is a material qualified and selected.
<b>Material</b>	Stainless Steel
<b>Shelves</b>	3 Shelves Made of Glass
<b>Braket</b>	Made of Aluminium, retention bracket height can be adjusted according to need
<b>Type door</b>	2 Door
<b>Finishing</b>	Polished
<b>Side Guard</b>	Made of Glass
<b>Max Load</b>	20 Kg
<b>size</b>	(L) 90 x (W) 45 x (H) 170 cm
<b>Accessories</b>	Lock door, Handle, Bracket Aluminium.
<b>Note</b>	The side of the cabinets are made of steel plate, shelves made of glass 5mm and adjustable, equipped with lock and handle. Under cabinets and 1 & 2 doors are made of steel plate fitted with a lock and handle

### Mortuary Carriage S/S

BMO - 201



[e - catalogue](#)

- Sesuai negosiasi LKPP
- Termasuk PPN
- Franko Pabrik
- Belum termasuk ongkos kirim & Biaya asuransi

#### Specification

<b>Construction</b>	Stainless Steel Pipe $\varnothing 1\ 1/2" \times 1.5\text{mm}$ , $\varnothing 1/2" \times 1.2\text{mm}$ , $\varnothing 5/8" \times 1.2\text{mm}$ & Stainless Steel plate 1mm is a material qualified and selected.
<b>Cover Mortuary</b>	Made of Stainless Steel Pipe & Cloth
<b>Base</b>	Made of Stainless Steel Plate
<b>Finishing</b>	Polished
<b>Side Rail</b>	Made of Stainless Steel Pipe
<b>Wheels</b>	4" Wheels
<b>Max Load</b>	150 Kg
<b>size</b>	(L) 200 x (W) 75 x (H) 80 cm
<b>Accessories</b>	Cover Cloth
<b>Note</b>	the cover using a hinge to facilitate opening and closing and locking features, for use under the front of the pipe and rubber serves as the locking movement and the rear wheels for ease of mobility.

**Mortuary Refrigerator 2 Person / Kulkas Jenazah**  
BMO - 203 - 2P



[e - catalogue](#)

- Sesuai negosiasi LKPP
- Termasuk PPN
- Franko Pabrik
- Belum termasuk ongkos kirim & Biaya asuransi

**Specification**

<b>Construction :</b>	Stainless Steel Hollow,Pipe, Iron As, Plate, is a material qualified and selected.
<b>Material :</b>	Stainless steel hairline 304
<b>Base :</b>	Made of Stainless Steel
<b>Finishing :</b>	Hairline
<b>Tray corpse :</b>	Made of Stainless Steel
<b>Wheels :</b>	4" , 4 -wheel equipped with a lock
<b>Max Load :</b>	200 Kg
<b>Size :</b>	(L) 240 x (W) 90 x (H) 190 cm
<b>Accessories :</b>	Tray corpse, 1 Hp techumseh, refrigerant R 22
<b>Power Consumption :</b>	700 Watt
<b>Power Supply :</b>	220V - 50/60 Hz
<b>Temperature :</b>	0°C /-10°C
<b>Note :</b>	capacity for 2 bodies, there is a corpse tray ,mobility is supported by the wheels.

**Mortuary Table S/S**  
BMO - 201 - T



[e - catalogue](#)

- Sesuai negosiasi LKPP
- Termasuk PPN
- Franko Pabrik
- Belum termasuk ongkos kirim & Biaya asuransi

**Specification**

<b>Construction</b>	Stainless Steel Hollow 40x40x1.2 Pipe $\varnothing$ 1 1/2"x1.2mm, $\varnothing$ 1"x1.2mm, Plate t:1mm, is a material qualified & selected.
<b>Pillow</b>	Plywood, Pillow foam semi latex covered with vinyl water repellent.
<b>Base</b>	Made of Stainless Steel Plate & Pillow
<b>Finishing</b>	Polished
<b>Side Rail</b>	Made of Stainless Steel Plate
<b>Gaiters</b>	Rubber
<b>Max Load</b>	150 Kg
<b>size</b>	(L) 200 x (W) 70 x (H) 80 cm
<b>Accessories</b>	Pillow the corpse
<b>Note</b>	in order to facilitate and maintain the cleanliness of the corpse the table is equipped with cushions jsebagai bath mat, allstainless steel construction, there is sewerage.

**Radiology Table P/C**  
BRT-101  
AKD 21501410103



[e - catalogue](#)

- Sesuai negosiasi LKPP
- Termasuk PPN
- Franko Pabrik
- Belum termasuk ongkos kirim & Biaya asuransi

**Specification**

<b>Construction :</b>	Steel Hollow, Plate is a material qualified and selected.
<b>Base Plate :</b>	Made of Plywood & melaminto
<b>Finishing :</b>	Epoxy Powder Coating
<b>Max Load :</b>	150 Kg
<b>Weight :</b>	68.5 Kg
<b>size :</b>	(L) 200 x (W) 70 x (H) 71 cm
<b>Accessories :</b>	film storage
<b>Note :</b>	there is a movie clip in storage, can be elongated handle is pulled out in a way that there is at storage of the film, in order to facilitate the movement of the film storage supported with sliding wheels. there is a rubber bottom feet for protection.
<b>Optional :</b>	-

**Resussitasi Table S/S (Baby Tafel) with lamp**  
BTA - 201 - L  
AKD 10903310417



[e - catalogue](#)

- Sesuai negosiasi LKPP
- Termasuk PPN
- Franko Pabrik
- Belum termasuk ongkos kirim & Biaya asuransi

**Specification**

<b>Construction :</b>	Stainless Steel Hollow , Plate, Bar is a material qualified and selected for
<b>Mattress :</b>	Mattress foam semi latex covered with vinyl, 8cm thickness.
<b>Base Plate :</b>	made of Playwood
<b>Finishing :</b>	Plished for
<b>Side Rail :</b>	Stainless teel side rail for
<b>Wheels:</b>	Castor 2 "
<b>Max Load:</b>	50 Kg
<b>Size:</b>	(L) 107 x (W) 58 x (H) 92 cm
<b>Note:</b>	there are 2 pieces for storage drawers, 1cupboard with 2 doors to store clothing and so forth,1 taray that can be folded when not in use.
<b>Accessories :</b>	1 piece of light for illumination for

### Stand Wascom Single Deluxe S/S

BSW - 201 - SD



[- catalogue](#)

- Sesuai negosiasi LKPP
- Termasuk PPN
- Franko Pabrik
- Belum termasuk ongkos kirim & Biaya asuransi

#### Specification

<b>Construction :</b>	Stainless Steel Pipe, Plate is a material qualified and selected.
<b>Material :</b>	Stainless Steel
<b>Base Plate :</b>	Made of Stainless Steel plate
<b>Finishing :</b>	Polished
<b>Type :</b>	Single
<b>Side Rail :</b>	Pipe
<b>Wheels :</b>	2", two wheels with locking
<b>Max Load :</b>	30 Kg
<b>Size :</b>	(L) 50 x (W) 40 x (H) 80 cm
<b>Note :</b>	The detention basin washer is equipped with a towel. Stainless Steel plate (SPHC) as a solid resistance to cradle the basin.
<b>Optional :</b>	Basin

### Stand Wascom Single P/C

BSW - 101 - S



[- catalogue](#)

- Sesuai negosiasi LKPP
- Termasuk PPN
- Franko Pabrik
- Belum termasuk ongkos kirim & Biaya asuransi

#### Specification

<b>Construction</b>	Steel Hollow, Plate, Iron As , material qualified & selected.
<b>Base</b>	Made of Steel plate
<b>Hanger</b>	Iron As
<b>Finishing</b>	Epoxy Powder Coating
<b>Type</b>	Single
<b>Side Rail</b>	Steel pipe
<b>Wheel</b>	4 pcs 2" , Two wheels with locking
<b>Max Load</b>	25 Kg
<b>Weight</b>	2.7 Kg
<b>Size</b>	(L) 500 x (W) 500 x (H) 800 mm
<b>Accessories</b>	Towel hanger
<b>Note</b>	the detention basin washer is equipped with a towel. Stainless Steel plate (SPHC) as a solid resistance to cradle the basin.
<b>Optiona</b>	Include basin

### Stand Wascom Single S/S

BSW - 201 - S



[- catalogue](#)

- Sesuai negosiasi LKPP
- Termasuk PPN
- Franko Pabrik
- Belum termasuk ongkos kirim & Biaya asuransi

#### Specification

<b>Construction</b>	Stainless Steel Pipe ,Plate , Iron As, material qualified .
<b>Base</b>	Made of Stainless Steel plate
<b>Hanger</b>	Iron As
<b>Finishing</b>	Polished
<b>Type</b>	Single
<b>Side Rail</b>	Steel pipe
<b>Wheel</b>	4 pcs 2" , two wheels with locking
<b>Max Load</b>	25 Kg
<b>Weight</b>	2.9 Kg
<b>Size</b>	(L) 500 x (W) 500 x (H) 800 mm
<b>Accessories</b>	Towel hanger
<b>Note</b>	the detention basin washer is equipped with a towel. Stainless Steel plate (SPHC) as a solid resistance to cradle the basin.
<b>Optional</b>	Include basin

### Stand Wascom Double Deluxe S/S

BSW - 201 - DD



[- catalogue](#)

- Sesuai negosiasi LKPP
- Termasuk PPN
- Franko Pabrik
- Belum termasuk ongkos kirim & Biaya asuransi

#### Specification

<b>Construction :</b>	Stainless Steel Pipe, Plate is a material qualified and selected.
<b>Material :</b>	Stainless Steel
<b>Base Plate :</b>	Made of Stainless Steel plate
<b>Finishing :</b>	Polished
<b>Type :</b>	Double
<b>Side Rail :</b>	pipe
<b>Wheels :</b>	2", two wheels with locking
<b>Max Load :</b>	30 Kg
<b>Size :</b>	(L) 110 x (W) 45 x (H) 80 cm
<b>Note :</b>	The detention basin washer is equipped with a towel. Stainless Steel plate (SPHC) as a solid resistance to cradle the basin.
<b>Optional :</b>	Basin

### Stand Wascom Double P/C

BSW - 101 - D



- catalogue

- Sesuai negosiasi LKPP
- Termasuk PPN
- Franko Pabrik
- Belum termasuk ongkos kirim & Biaya asuransi

#### Specification

<b>Construction</b>	Steel Hollow, Plate, Iron As , material qualified & selected.
<b>Base</b>	Made of Steel plate
<b>Hanger</b>	Iron As
<b>Finishing</b>	Epoxy Powder Coating
<b>Type</b>	Double
<b>Side Rail</b>	Steel pipe
<b>Wheel</b>	4 pcs 2" , Two wheels with locking
<b>Max Load</b>	25 Kg
<b>Weight</b>	3.7 Kg
<b>Size</b>	(L) 750 x (W) 600 x (H) 800 mm
<b>Accessories</b>	Towel hanger
<b>Note</b>	the detention basin washer is equipped with a towel. Stainless Steel plate (SPHC) as a solid resistance to cradle the basin.
<b>Optional</b>	Include basin

### Stand Wascom Double S/S

BSW - 201 - D



- catalogue

- Sesuai negosiasi LKPP
- Termasuk PPN
- Franko Pabrik
- Belum termasuk ongkos kirim & Biaya asuransi

#### Specification

<b>Construction</b>	Stainless Steel Hollow 30x15x1.2mm, Pipe 1 1/4"x1.5mm, 1"x1.2mm, 5/8"x1mm, Iron As 8"mm, material qualified and selected.
<b>Base</b>	Made of Stainless Steel pipe
<b>Hanger</b>	Iron As
<b>Finishing</b>	Polished
<b>Type</b>	Double
<b>Side Rail</b>	Stainless Steel pipe
<b>Wheel</b>	4 pcs 2" , Two wheels with locking
<b>Max Load</b>	25 Kg
<b>Weight</b>	2.9 Kg
<b>Size</b>	(L) 500 x (W) 500 x (H) 800 mm
<b>Accessories</b>	Towel hanger
<b>Note</b>	the detention basin washer is equipped with a towel.
<b>Optional</b>	Include basin

### Verlos Bed S/S

BVB - 201

AKD 21104310411



- catalogue

- Sesuai negosiasi LKPP
- Termasuk PPN
- Franko Pabrik
- Belum termasuk ongkos kirim & Biaya asuransi

#### Specification

<b>Construction</b>	Stainless Steel Pipe, Hollow, Iron As, Plate is a material qualified and selected.
<b>Base Plate</b>	Made of Plywood
<b>Mattress</b>	Mattress foam semi latex covered with vinyl, 6cm thickness.
<b>Finishing</b>	Polished
<b>Side Rail</b>	Stainless Steel side rail
<b>I.V Stand</b>	High-quality Stainless Steel material with 2 Infusion holder
<b>Wheels</b>	4" Wheel , two wheels with locking
<b>Max Load</b>	150 Kg
<b>Weight</b>	36 Kg
<b>size</b>	(L) 208 x (W) 83 x (H) 120 cm
<b>Accessories</b>	Leg Support, Holder the basin, Stand Infus,
<b>Note</b>	Foot Step. the backrest can be adjusted by using the tilt adjuster, the adjuster is made of SPHC plate with a thickness of 5 mm and milling process.

### Wheel Chair

BKR- 202

AKD 11402310416



- catalogue

- Sesuai negosiasi LKPP
- Termasuk PPN
- Franko Pabrik
- Belum termasuk ongkos kirim & Biaya asuransi

#### Specification

<b>Construction</b>	Stainless Steel Pipe, Plate is a material qualified.
<b>Base</b>	Syntek Leater
<b>cushion</b>	Synthetic leather is supple and strong
<b>Finishing</b>	Polished
<b>Side Rail</b>	Stainless Steel and plastic
<b>Mover</b>	Wheel
<b>Wheels</b>	Rear wheels 21" and front wheels 8"
<b>Max Load</b>	100 Kg
<b>Weight</b>	16 Kg
<b>size</b>	(L) 100 x (W) 65 x (H) 85 cm
<b>Accessories</b>	Rubber Wheel, custody feet.
<b>custody feet</b>	Can be folded or removed
<b>Note</b>	on the rear wheel brakes on both wheels fitted, this wheelchair can be folded when not in use.

# Product Population

ALKES. SIGOMPUL KAB. HUMBANG  
HASUNDUTAN  
ALKES. HUTAGALUNG KAB. HUMBANG  
HASUNDUTAN  
BALAIM KESEHATAN PARU, JABAR  
BLUD PKM KEC. CEMPAKA PUTIH-JAKPUS  
BLUD PKM KEC. SENEN - JAKPUS  
BLUD PKM. GROGOL PETAMBURAN  
BLUD PKM. KEC. TANJUNG PRIOK  
BLUD PKM. KEMBANGAN  
BLUD PUSKESMAS KEC. CIPAYUNG  
DINAS KESEHATAN KAB. ACEH TENGAH  
DINAS KESEHATAN KAB. BOJONEGORO  
DINAS KESEHATAN KAB. BREBES  
DINAS KESEHATAN KAB. ENDE  
DINAS KESEHATAN KAB. KERINCI  
DINAS KESEHATAN KOTA BANDUNG  
DINAS KESEHATAN KOTA PALEMBANG  
DINAS KESEHATAN KOTA PARIAMAN  
DINAS KESEHATAN PROV. BALI  
DINKES KAB. BANYUASIN  
DINKES KAB. BERAU  
DINKES KAB. BOGOR  
DINKES KAB. BOJONEGORO  
DINKES KAB. GARUT  
DINKES KAB. GUNUNG SITOLI  
DINKES KAB. INDRAMAYU  
DINKES KAB. JOMBANG  
DINKES KAB. KEDIRI  
DINKES KAB. OGAN KOMERING ULU  
DINKES KAB. PEKALONGAN  
DINKES KAB. PEMALANG  
DINKES KAB. PURWAKARTA  
DINKES KAB. SUKOHARJO  
DINKES KAB. SUMBA TENGAH  
DINKES KAB. TABALONG  
DINKES KAB. TABANAN  
DINKES KAB. TANGGAMUS  
DINKES KAB. TANJUNG JABUNG BARAT  
DINKES KAB. TULUNGAGUNG  
DINKES KOTA PALEMBANG  
DINKES KOTA SEMARANG  
DINKES KOTA SUNGAI PENUH  
DINKES PKM. KEDAUNG KOTA DEPOK  
DINKES PROV. BALI  
DINKES PROV. RIAU  
DINKES, KAB. MALANG  
DINKES, PENGENDALIAN PENDUDUK  
DINKES. KAB. ACEH TAMIANG  
DINKES. KAB. LAMPUNG SELATAN  
KANKES PELABUHAN KELAS II PADANG  
KEJAKSAAN AGUNG RI  
PEMDA DKI, RSUD PASAR MINGGU  
PEMDA KAB. PESISIR SELATAN  
PEMDA KAB. SERANG  
PEMDA KOTA BANDUNG  
PEMDA KOTA PALEMBANG

PKM BUGUL KIDUL KOTA PASURUAN  
PKM CAKUNG  
PKM CIKARANG  
PKM CIPAYUNG  
PKM DUREN SAWIT  
PKM I CILONGKOK KAB. BANYUMAS  
PKM KABUNAN KAB. PEMALANG  
PKM KAPUK  
PKM KEC. KEMBANGAN  
PKM KRAMAT JATI  
PKM MAJEGAN  
PKM MENTENG  
PKM PETARUKAN, KAB. PEMALANG  
PKM PULOGADUNG  
PKM RAWALO KAB. BANYUMAS  
PKM. BAKTIRAJA KAB. HUMBANG HASUNDUTAN  
PKM. BALONG KAB. PONOROGO  
PKM. BANDAR KEDUNG MULYO KAB. JOMBANG  
PKM. BANGETAYU PEMDA KOTA SEMARANG  
PKM. BANYUMAS KAB. BANYUMAS  
PKM. BENDOSARI KAB. SUKOHARJO  
PKM. BOJONG GEDE KAB. BOGOR  
PKM. BONAN DOLOK KAB. HUMBANG HASUNDUTAN  
PKM. BREBES  
PKM. BREBES KAB. BREBES  
PKM. CABANG BUNGIN  
PKM. CIBARUSAH  
PKM. CIGUDEG KAB. BOGOR  
PKM. CIKUYA KAB. TANGGERANG  
PKM. GUNUNGSARI KAB. BOJONEGORO  
PKM. HUTAGALUNG KAB. HUMBANG HASUNDUTAN  
PKM. HUTAPAUNG KAB. HUMBANG HASUNDUTAN  
PKM. I KEMRANJEN  
PKM. JEBED DINKES KAB. PEMALANG  
PKM. JOHAR BARU JAKARTA PUSAT  
PKM. KAB. GUNUNG SITOLI  
PKM. KABUNAN KAB. PEMALANG  
PKM. KARANG BAHAGIA  
PKM. KARANG HARJA  
PKM. KARANG MULYA  
PKM. KARANG SAMBUNG KAB. KEBUMEN  
PKM. KARANGAWEN I KAB. DEMAK  
PKM. KEBOAN KAB. JOMBANG  
PKM. KEC. KEBAYORAN BARU JAKSEL  
PKM. KEC. CIPAYUNG JAKTIM  
PKM. KLAREYAN KAB. PEMALANG  
PKM. LOJI KAB. MAJALENGA  
PKM. MANISRENGGO  
PKM. MANISRENGGO KAB. KLATEN  
PKM. MATITI KAB. HUMBANG HASUNDUTAN  
PKM. MUNGO KAB. LIMA PULUH KOTA  
PKM. NANGGUNG KAB. BOGOR  
PKM. ONAN GANJANG KAB. HUMBANG HASUNDUTAN  
PKM. PAGUYANGAN KAB. BREBES  
PKM. PAKKAT KAB. HUMBANG HASUNDUTAN  
PKM. PAMANDEGAN KAB. LEBAK  
PKM. PANCORAN MAS 19 KOTA DEPOK



# Product Population

PKM. PARANGINAN KAB. HUMBANG HASUNDUTAN  
PKM. PARLILITAN KAB. HUMBANG HASUNDUTAN  
PKM. PARUNGKUDA KAB. SUKABUMI  
PKM. PEBAYURAN  
PKM. PORIS PELAWAD KOTA TANGERANG  
PKM. PURWOKERTO BARAT KAB. BANYUMAS  
PKM. RAWALO KAB. BANYUMAS  
PKM. ROWOSARI KAB. PEMALANG  
PKM. SAITNIHUTA KAB. HUMBANG HASUNDUTAN  
PKM. SIGOMPUL KAB. HUMBANG HASUNDUTAN  
PKM. SUBAH KAB. BATANG  
PKM. SUKA TENANG  
PKM. SUMBERLAWANG KAB. SRAGEN  
PKM. TAJURHALANG KAB. BOGOR  
PKM. TANJUNG BREBES - BUMI INDAH  
PKM. TANJUNG TEJA  
PKM. TARABINTANG KAB. HUMBANG HASUNDUTAN  
PKM. TARUMAJAYA  
PKM. WEDI KAB. KLATEN  
PKM. WIRANG KAB. TABALONG  
PKM. WONOSALAM I KAB. DEMAK  
POLITEKNIK KESEHATAN DENPASAR  
POLITEKNIK KESEHATAN TANJUNG PINANG  
RS AL ISLAM BANDUNG  
RS ANNA MEDIKA  
RS ANTAM MEDIKA  
RS ARIYA MEDIKA  
RS ARJAWINANGUN CIREBON  
RS BUDI LESTARI  
RS BUNDA  
RS CIPUTRA  
RS CITAMA  
RS DINDA  
RS FATIMAH CILACAP  
RS GADING PLUIT  
RS HARAPAN KITA  
RS HARUM  
RS HERMINA BEKASI  
RS KANKER DHARMAIS  
RS KARTIKA HUSADA  
RS KELUARGA KITA  
RS KESDAM JAYA  
RS KOJA  
RS MARDHI WALUYO  
RS MASMITRA  
RS MAYANG MEDICAL CENTER  
RS MEDIMAS  
RS MEILIA  
RS MITRA KELUARGA BEKASI  
RS MITRA KEMAYORA  
RS MM INDRAMAYU  
RS MMC JAMBI  
RS MUHAMMADIYAH SRUWENG  
RS PERTAMINA BINA MEDIKA  
RS PERTAMINA SORONG  
RS POLRI KRAMAT JATI  
RS PURI ASIH  
RS RUMKITAL  
RS SANGATTA OCCUPATION HEALTH CENTER  
RS SANTO YUSUP  
RS SEKAR KAMULIAN KUNINGAN  
RS SIAGA RAYA  
RS SINTANALA  
RS UIN  
RS UKI  
RS. KAB . SLEMAN  
RS. KUSTA SITANALA TANGERANG  
RS. PARU CISARUA  
RS. UMUM KEC. SAWAH BESAR JAKPUS  
RSAU Dr ERNASAWAN ANTARIKSA  
RSB SUN MARIE  
RSI PONDOK KOPI  
RSIA ASIH  
RSIA BUDI ASIH  
RSIA BUDI JAYA  
RSIA KARUNIA KASIH  
RSIA MUTIARA BUNDA  
RSIA RESTU KASIH  
RSIA SEKAR  
RSIA SELARAS  
RSIA SELASIH  
RSJ Dr. SOEHARTO HEEDJAN  
RSKD PROV. MALUKU  
RSU SERANG  
RSU SUMEDANG  
RSUD AL IKHSAN  
RSUD BANTEN  
RSUD BEKASI  
RSUD BREBES  
RSUD KAB. BUTON TENGAH  
RSUD KARAWANG  
RSUD KEC. CILINCING  
RSUD KOTA CILEGON  
RSUD MUARA DUA  
RSUD PROV. SULAWESI TENGGARA  
RSUK KALIDERES  
RSUK KOJA, JAKUT  
RSUK MAMPANG  
RSUKEC. TANGGERANG  
RSUP FATMAWATI  
RSUP HASAN SADIKIN BANDUNG  
RSUP PERSAHABATAN  
RUMKIT BAHYANGKARA PALANGKARAYA  
UNIVERSITAS GAJAH MADA  
UPTD PKM. MELUR KOTA PEKANBARU  
UPTD PKM. BUMIAYU KAB. BREBES  
UPTD PKM. KUTASARI KAB. PURBALINGGA  
UPTD PKM. PORIS PELAWAD TANGGERANG  
UPTD PKM. SIDANGWANGI KAB. MAJALENGKA  
UPTD PKM. TANJUNG KAB. BREBES  
WARINGIN KURUNG KAB. SERANG

# Contact & Information



## PT BUMI INDAH SARANAMEDIS

Medical - Hospital Equipment - Laboratory Supply

### Workshop

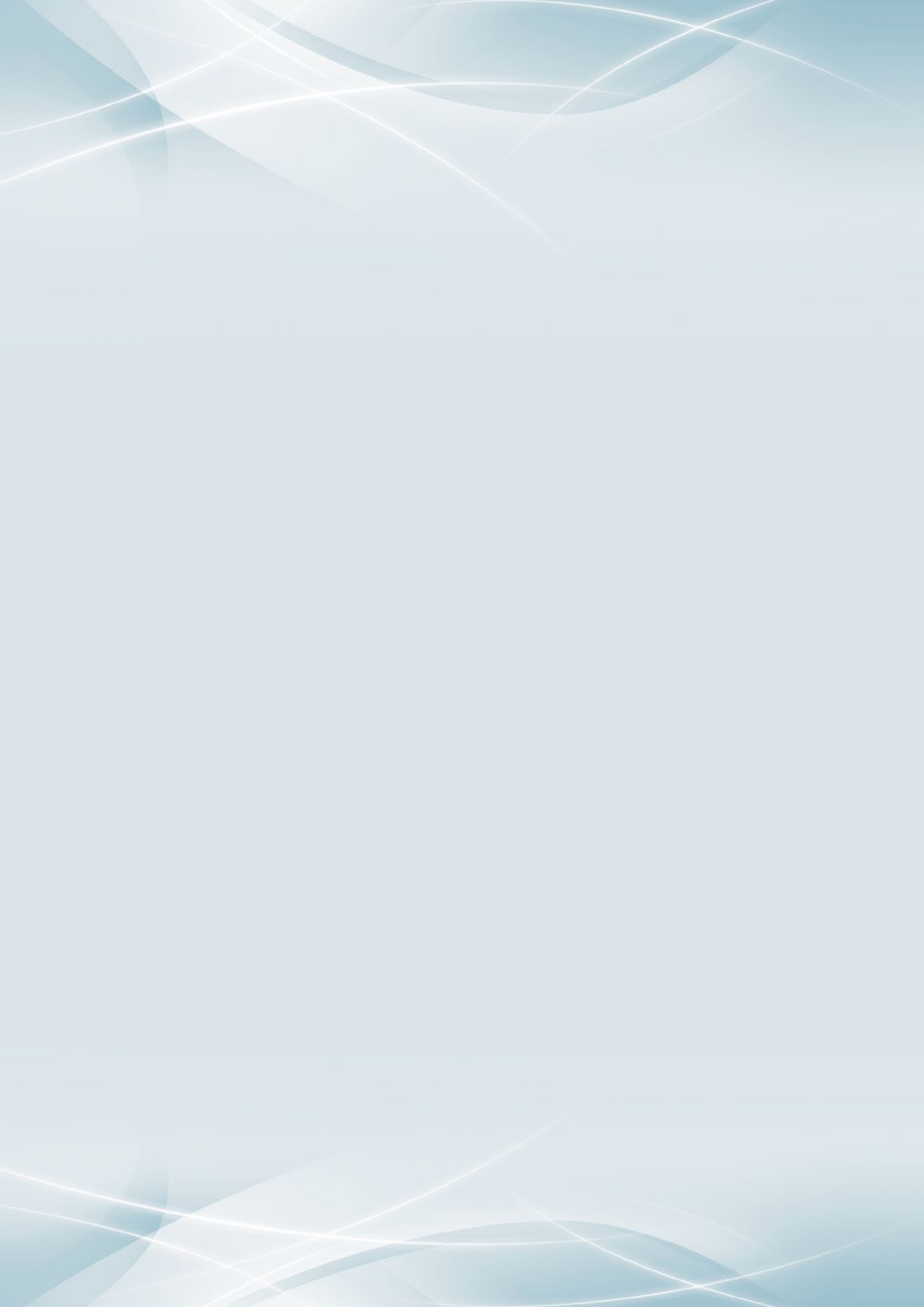
Alex Bangun Cipendawa Baru RT. 003 RW. 002  
Kel. Bantar Gebang, Kec. Bantar Gebang  
Kota Bekasi – Jawa Barat  
Telp : 021-82731750 / 021-82731806  
Fax : 021-82731834

### Show Room

Graha Bumi Indah - Lantai 1  
Jln. Inspeksi Kalimalang Kav. Agraria Blok E No.10  
Duren Sawit - Jakarta Timur 13430  
Telp.: 021 - 86608000- ext 109,114,120  
Fax.: 021 - 86607111




[www.bipmed.co.id](http://www.bipmed.co.id)





# PT BUMI INDAH SARANAMEDIS

*Medical • Hospital Equipment • Laboratory Supply*

 [www.bumiindah.co.id](http://www.bumiindah.co.id)

***Customer Service***



***Free Delivery Jabodetabek***



***Free Service & Repair***

